



Cat. GU01600 V 11 Sport/Mandello 1100 1999-2001  
g - Green



*Green*





Cat. GU01600 V 11 Sport/Mandello 1100 1999-2001  
red - Mandello red



**Mandello Red**

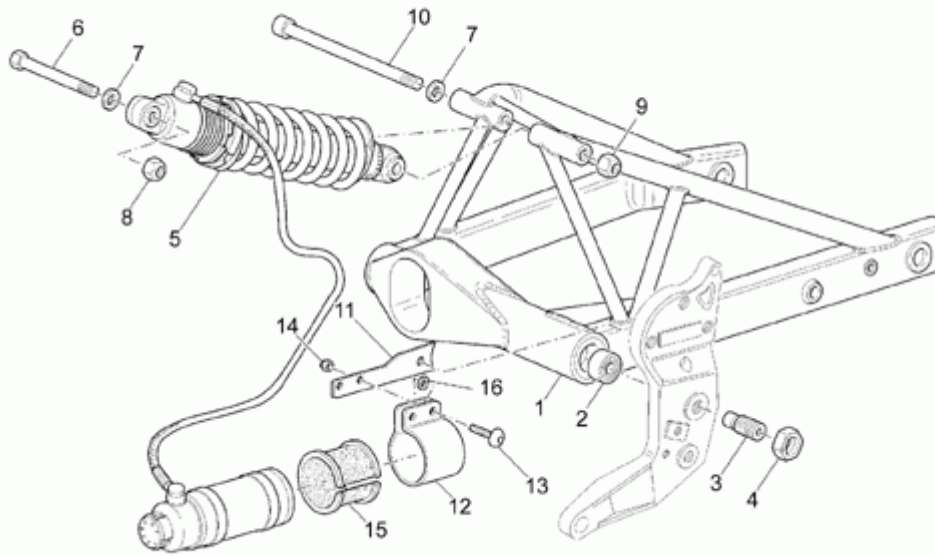




Cat. GU01600 V 11 Sport/Mandello 1100 1999-2001  
si - Silver



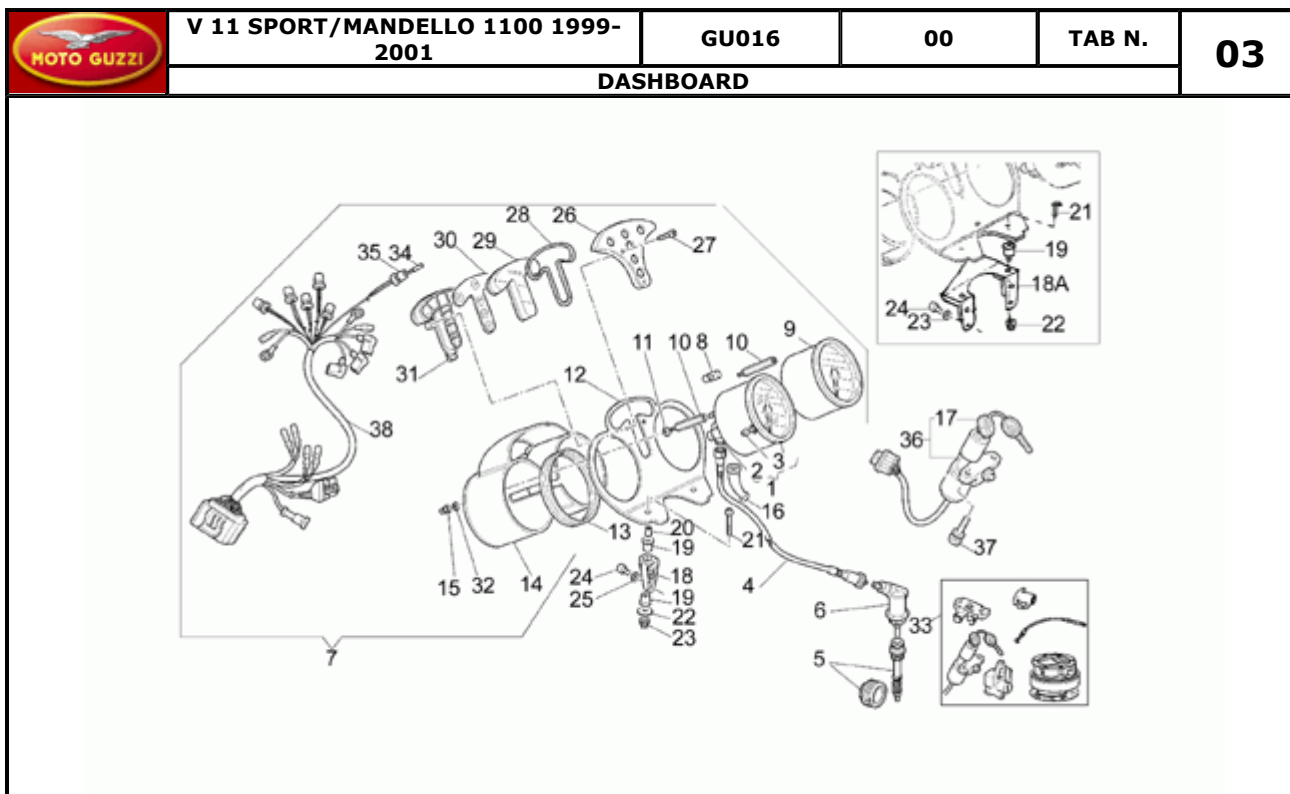
	<b>V 11 SPORT/MANDELLO 1100 1999-2001</b>	<b>GU016</b>	<b>00</b>	<b>TAB N.</b>	<b>01</b>
	<b>REAR SHOCK ABSORBER</b>				



Pos.	Description	Year	I_M	Country	Version	Code	Q.ty	P.Cod.
1	Swingarm	-	-	-	-	GU01540230	1	
2	Ball bearing	-	-	-	-	GU92218418	2	
3	Pin	-	-	-	-	GU37547005	2	
4	Nut	-	-	-	-	GU30547800	2	
5	Shock absorber Sach-Boge	-	-	-	-	GU02550201	1	
6	Top screw	-	-	-	-	GU98053670	1	
7	Washer	-	-	-	-	GU95004213	2	
8	Nut	-	-	-	-	GU92630513	1	
9	Self-locking nut	-	-	-	-	GU92630512	1	
10	Lower screw	-	-	-	-	GU98610616	1	
11	Plate	-	-	-	01700N	GU01557930	1	
12	Hose clamp	-	-	-	-	GU02107300	1	
13	Screw	-	-	-	-	GU98230616	2	
14	Nut M6x1	-	-	-	-	GU92630106	2	
15	Rubber protection	-	-	-	-	GU29105860	1	
16	Washer	-	-	-	-	GU95000206	2	

Pos.	Description	Year	I_M	Country	Version	Code	Q.ty	P.Cod.
1	Transmission complete black	-	-	-	04000N	red	GU01350240	1
	Transmission complete	-	-	-	-	-	GU01350230	1
2	Transmission housingblack	-	-	-	04000N	red	GU01350340	1
	Transmission housing	-	-	-	-	-	GU04350300	1
3	Stud bolt	-	-	-	-	-	GU04357900	4
4	Ring nut	-	-	-	-	-	GU04358700	1
5	Spacer	-	-	-	-	-	GU01356930	1
6	Oil plug	-	-	-	-	-	GU01351230	1
7	Gasket	-	-	-	02700N	-	GU01154230	1
8	Oil level plug	-	-	-	-	-	GU95980214	1
9	Gasket 10x18x1,5	-	-	-	-	-	GU01528930	2
10	Gasket ring	-	-	-	-	-	GU90403850	1
11	Circlip	-	-	-	-	-	GU90353040	1
12	Roller bearing 40X45X55	-	-	-	-	-	GU92234055	1
13	Nut	-	-	-	-	-	GU04356700	1
14	Bearing 25X62X25,4	-	-	-	-	-	GU92201926	2
15	Spacer	-	-	-	-	-	GU04356800	1
16	O-ring 61,60X2,62	-	-	-	-	-	GU90706616	1
17	Gasket ring 32X52X7	-	-	-	-	-	GU90403257	1
18	Ring nut	-	-	-	-	-	GU04354900	1
19	Spacer 1,8 mm	-	-	-	-	-	GU04355303	1
	Spacer 1,5 mm	-	-	-	-	-	GU04355300	1
	Spacer 1,6 mm	-	-	-	-	-	GU04355301	1
	Spacer 1,9 mm	-	-	-	-	-	GU04355304	1
	Spacer 1,7 mm	-	-	-	-	-	GU04355302	1
20	Screw M8X25	-	-	-	-	-	GU19357660	8
21	Washer 8,4X13X0,8	-	-	-	-	-	GU14615901	8
22	Roller bearing 12X24X16	-	-	-	-	-	GU92231216	1
23	Flange	-	-	-	-	-	GU04350400	1
24	O-ring 158,42X2,62	-	-	-	-	-	GU90706958	1
25	Spacer 1,1 mm	-	-	-	-	-	GU04355105	1
	Spacer 1,2 mm	-	-	-	-	-	GU04355106	1
	Spacer 1 mm	-	-	-	-	-	GU04355104	1

	Spacer 0,9 mm	-	-	-	-	-	GU04355103	1
	Spacer 0,8 mm	-	-	-	-	-	GU04355102	1
	Spacer 0,7 mm	-	-	-	-	-	GU04355101	1
	Spacer 0,6 mm	-	-	-	-	-	GU04355100	1
26	Bearing 80X125X14	-	-	-	-	-	GU92208014	1
27	Gasket ring	-	-	-	-	-	GU90407085	1
28	Oil unload plug M10X1	-	-	-	-	-	GU31003766	1
29	Bevel gear 11/32	-	-	-	-	-	GU01354630	1
30	Roller bearing	-	-	-	-	-	GU92252225	1
31	Ring	-	-	-	-	-	GU92259025	1
32	Washer	-	-	-	-	-	GU04351900	1
33	Washer	-	-	-	-	-	GU37359005	1
34	Breather plug	-	-	-	-	-	GU19206501	1
35	Gasket 10x18x1,5	-	-	-	02700N	-	GU01528930	1
36	Bearing 20x52x15	-	-	-	-	-	GU92201821	1



Pos.	Description	Year	I_M	Country	Version	Code	Q.ty	P.Cod.
1	Speedometer MPH Borletti	-	-	-	-	GU02762400	1	
	Speedometer KMh Borletti	-	-	-	-	GU02761500	1	
2	Gear 60°	-	-	-	-	GU23768310	1	
3	Reset button	-	-	-	-	GU02762800	1	
4	Odometer cable	-	-	-	-	GU01760430	1	
5	Odometer gear	-	-	-	-	GU04762500	1	
6	Odometer gear 60°	-	-	-	-	GU04768300	1	
7	Dashboard complete	-	-	-	-	GU01760030	1	
	Dashboard complete	-	-	-	04000N red	GU01760040	1	
8	Lamp 12v-3w	-	-	-	-	GU93450120	2	
9	Electronic revolution counter	-	-	-	-	GU02767200	1	
10	Spacer	-	-	-	-	GU01763030	4	
11	Washer	-	-	-	-	GU95100055	2	
12	Support plate	-	-	-	02601N-3H	GU01764055	1	
	Dashboard lower support	-	-	-	-	GU02764000	1	
	Carb. support base	-	-	-	2H	GU01764040	1	
13	Support rubber part	-	-	-	-	GU02762301	2	
14	Odometer support	-	-	-	-	GU01762031	1	
15	Nut	-	-	-	-	GU92781055	4	
16	Sheath	-	-	-	-	GU17762200	2	
17	Non indented key blank	-	-	-	-	GU30735500	1	
18	Socket support	-	-	-	-	GU02766000	2	
	Dashboard support, grey	-	-	-	-	GU01766030	2	
	Socket support	-	-	-	2H	GU01766040	2	
	Socket support black	-	-	-	02601N-3H	GU01766065	2	
19	Rubber spacer	-	-	-	-	GU02765500	4	
	Silent-block	-	-	-	02601N-3H	GU93222021	3	
20	Spacer	-	-	-	-	GU91180721	4	
21	Screw	-	-	-	-	GU98230636	2	
	Hex socket screw M6x10	-	-	-	02601N-3H	GU98370609	3	
22	Washer	-	-	-	-	GU95100124	2	

23	Nut M6x1	-	-	-	-	-	GU92630206	2
	Flanged nut	-	-	-	02601N-3H	-	GU92650106	3
24	Hex socket screw M6X16	-	-	-	-	-	GU98622316	4
	Hex socket screw M6X12	-	-	-	02601N-3H	-	GU98682312	4
25	Washer 6,15x11x0,8	-	-	-	-	-	GU95004206	4
	Washer 6,4x12x1,2	-	-	-	02601N-3H	-	GU95008306	4
26	Lamp-holding cover gray	-	-	-	-	-	GU01766230	1
	Lamp-holding cover black	-	-	-	04000N	red	GU01766240	1
27	Screw	-	-	-	-	-	GU98872115	3
28	Gasket	-	-	-	-	-	GU02768200	1
29	Protection	-	-	-	-	-	GU02768400	1
30	Panel with lenses	-	-	-	-	-	GU02781100	1
31	Indicator light box	-	-	-	-	-	GU02766300	1
32	Nylon washer 5,5X12X1	-	-	-	-	-	GU30577800	4
33	Lock hardware kit	-	-	-	-	-	GU01736830	1
34	Lamp 12V-1,2W	-	-	-	-	-	GU93450140	6
35	Lampholder	-	-	-	-	-	GU02768600	6
36	Main switch - steering lock	-	-	-	-	-	GU01782500	1
37	Special screw M8x15	-	-	-	-	-	GU97260415	2
38	Dashboard cable	-	-	-	-	-	GU01747230	1



V 11 SPORT/MANDELLO 1100 1999-2001

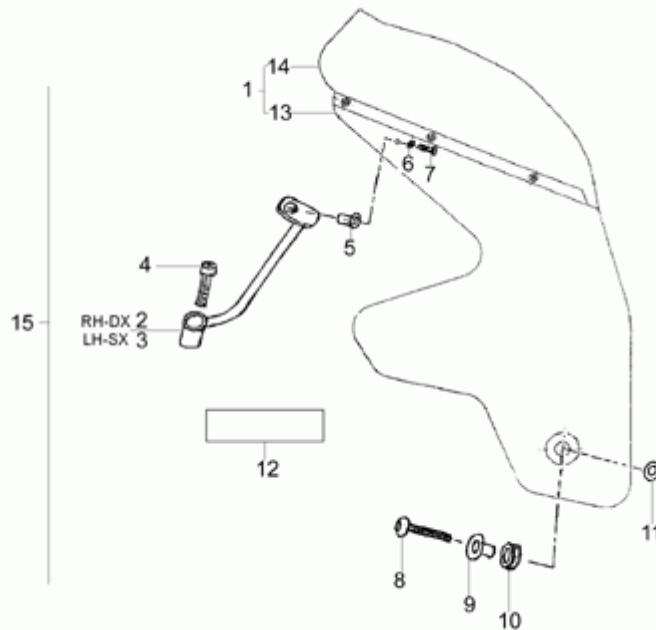
GU016

00


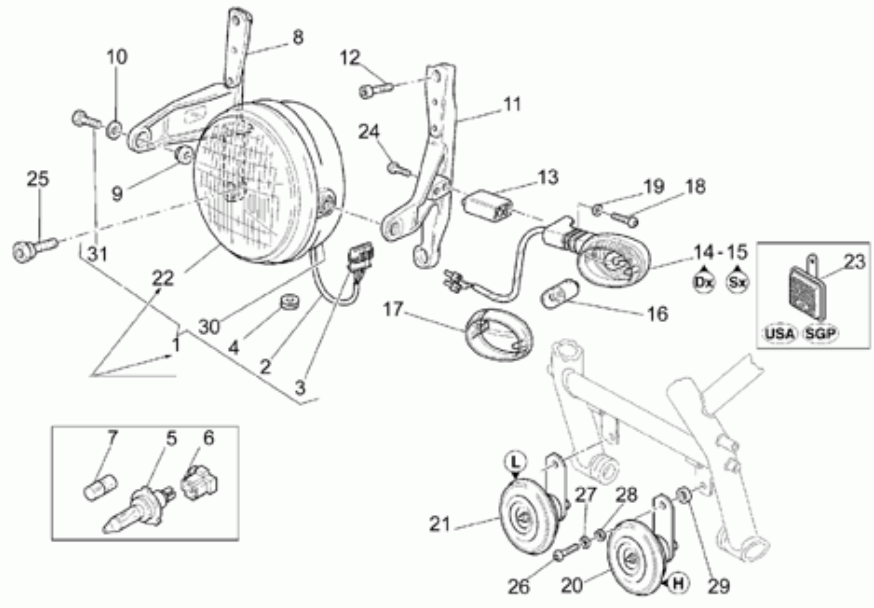
TAB N.

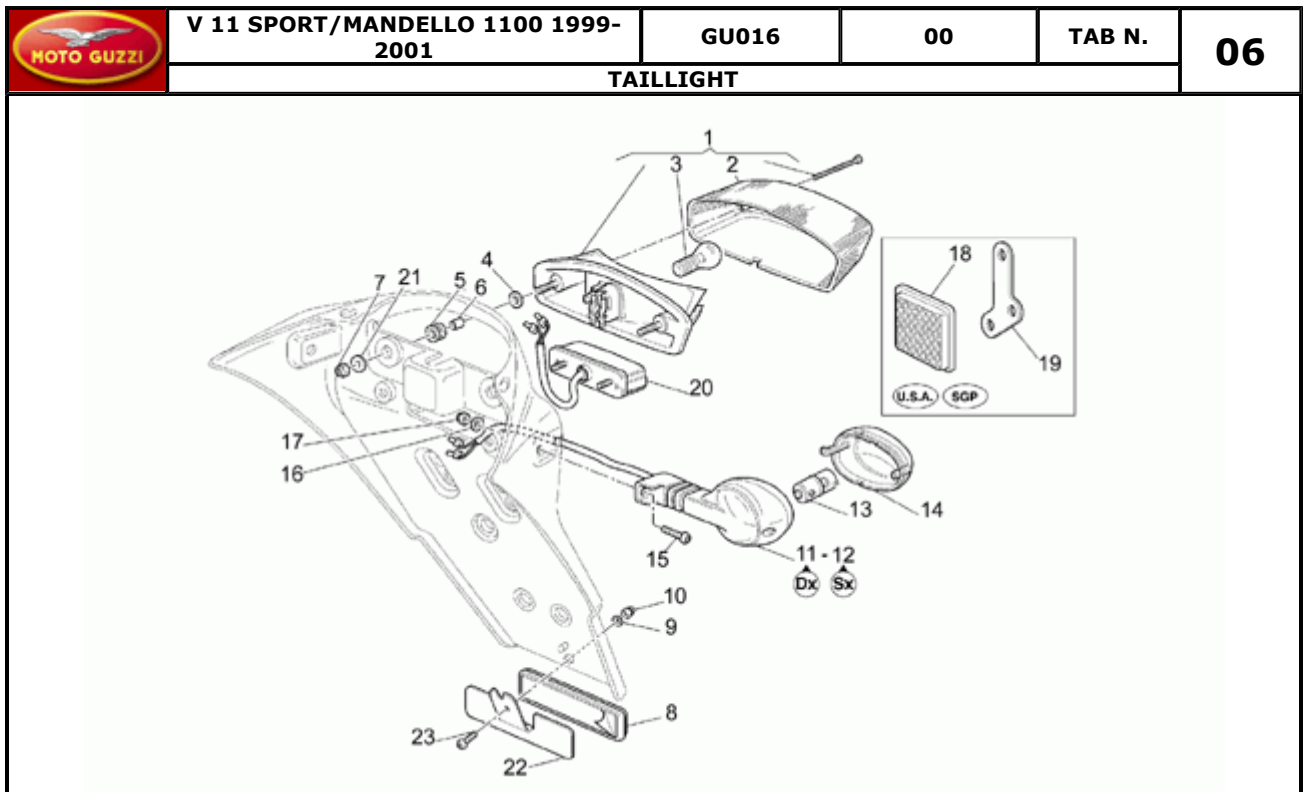
04

WINDSHIELD




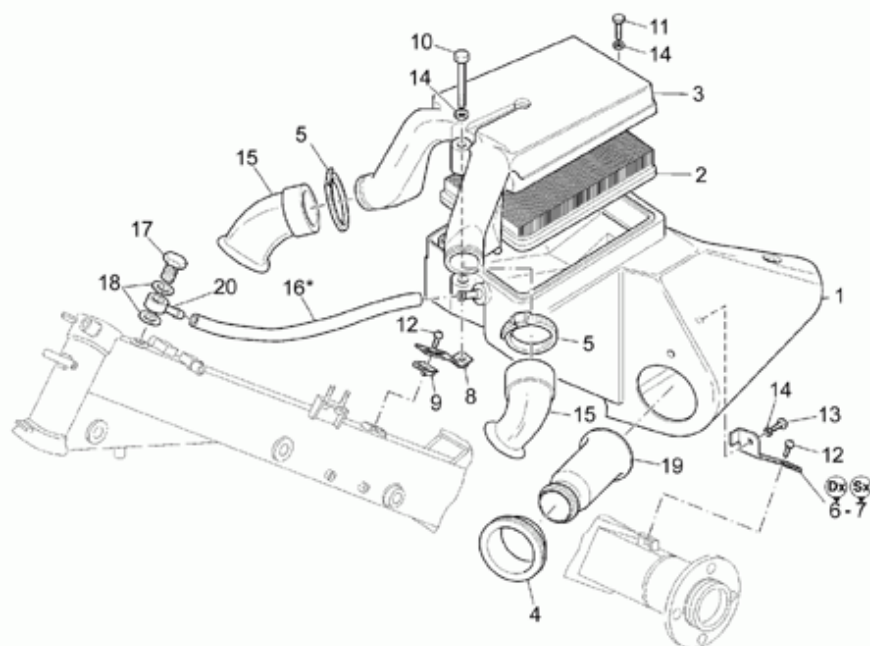
Pos.	Description	Year	I_M_	Country	Version	Code	Q.ty	P.Cod.
1	Windshield	-	-	-	04000N	-	GU01575340	1
2	RH support	-	-	-	04000N	-	GU01577540	1
3	LH support	-	-	-	04000N	-	GU01578640	1
4	Screw	-	-	-	04000N	-	GU98620450	2
5	Antivibration bush	-	-	-	04000N	-	GU93231605	2
6	Nylon washer 5,5X12X1	-	-	-	04000N	-	GU30577800	2
7	Screw	-	-	-	04000N	-	GU98230515	2
8	Screw	-	-	-	04000N	-	GU98370835	2
9	Spacer	-	-	-	04000N	-	GU91120806	2
10	Rubber spacer	-	-	-	04000N	-	GU01573940	2
11	Washer	-	-	-	04000N	-	GU95100218	2
12	Adhesive gasket	-	-	-	04000N	-	GU29579460	2
13	Windshield	-	-	-	04000N	-	GU01575440	1
14	Windscreen	-	-	-	04000N	-	GU01577240	1
15	Windshield assy.	-	-	-	04000N	-	GU01977240	1

		V 11 SPORT/MANDELLO 1100 1999-2001		GU016	00	TAB N.	05	
								
Pos.	Description	Year	I_M	Country	Version	Code	Q.ty	P.Cod.
1	Cpl headlightsteering headligh	-	-	AUS-J-MAL-NZ-SGP-UK	-	-	GU03740545	1
	Headlight	-	-	-	-	-	GU03740540	1
2	Wiring	-	-	-	-	-	GU02746900	1
3	4-way connector AMP	-	-	-	-	-	GU01756100	1
4	Rubber spacer	-	-	-	-	-	GU91551033	1
5	Lamp 12V-55/60W	-	-	-	-	-	GU93450232	1
6	Lampholder	-	-	-	-	-	GU01756220	1
7	Lamp 12V-4W	-	-	-	-	-	GU93450119	1
8	RH clamp	-	-	-	-	-	GU01496130	1
	RH bracket matte black	-	-	-	04000N	red	GU01496140	1
9	Spacer	-	-	-	-	-	GU14439800	2
10	Washer	-	-	-	-	-	GU95004208	2
11	LH clamp	-	-	-	-	-	GU01496230	1
	LH bracket matte black	-	-	-	04000N	red	GU01496240	1
12	Hex socket screw M6X16	-	-	-	-	-	GU98622316	3
13	Spacer, black	-	-	-	04000N	red	GU01753440	2
	Spacer, grey	-	-	-	-	-	GU01753430	2
	Spacer, chromium plated	-	-	-	-	-	GU02753400	2
14	Rear LH turn indicator	-	-	-	-	-	GU02750600	1
15	Rear RH turn indicator	-	-	-	-	-	GU02750601	1
16	Lamp 12V-10W	-	-	-	-	-	GU93450127	2
17	Turn indicator lens	-	-	-	-	-	GU02753700	2
18	Hex socket screw M6x18	-	-	-	-	-	GU98230619	4
19	Washer 6,4x10x0,7	-	-	-	-	-	GU14217901	2
20	Horn H	-	-	-	-	-	GU31743765	1
21	Horn L	-	-	-	-	-	GU31743766	1
22	Optical group	-	-	-	-	-	GU03740430	1
23	Reflector, amber	-	-	-	-	-	GU01781600	2
24	Screw	-	-	-	-	-	GU98230620	2
25	Special screw	-	-	-	-	-	GU01498430	1
26	Screw	-	-	-	-	-	GU98622320	2
27	Washer 6,4x10x0,7	-	-	-	-	-	GU14217901	2
28	Washer	-	-	-	-	-	GU95000206	2
29	Spacer	-	-	-	-	-	GU91180605	2
30	Cap rear black	-	-	-	-	-	GU03740437	1
31	Screw	-	-	-	-	-	GU98064425	2



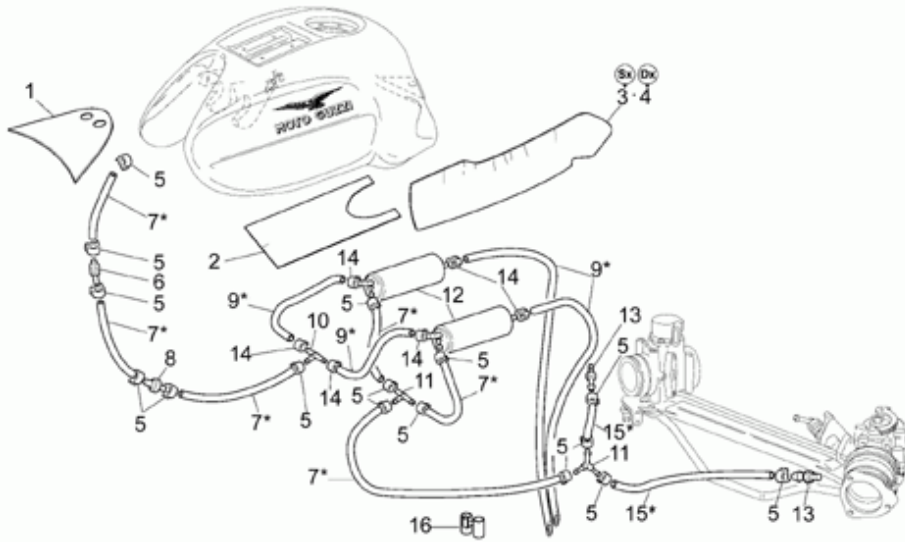
Pos.	Description	Year	I_M	Country	Version	Code	Q.ty	P.Cod.
1	Taillight	-	-	-	-	GU01740930	1	
2	Taillight lens	-	-	-	-	GU01741730	1	
3	Lamp 12V/5-21W	-	-	-	-	GU93450224	1	
4	Washer 6,4x12x1,2	-	-	-	-	GU95100141	2	
5	Rubber spacer	-	-	-	-	GU91551085	2	
6	Spacer	-	-	-	-	GU91180608	2	
7	Nut M6x1	-	-	-	-	GU92630206	2	
8	Reflector	-	-	-	-	GU31781565	1	
9	Nylon washer 5,5X12X1	-	-	-	-	GU30577800	1	
10	Nut	-	-	-	-	GU92781055	3	
11	Rear RH turn indicator	-	-	-	-	GU02750601	1	
12	Rear LH turn indicator	-	-	-	-	GU02750600	1	
13	Lamp 12V-10W	-	-	-	-	GU93450127	2	
14	Turn indicator lens	-	-	-	-	GU02753700	2	
15	Screw	-	-	-	-	GU98230620	2	
16	Washer 5,3x10x0,5	-	-	-	-	GU95100121	2	
17	Nut M6x1	-	-	-	-	GU92630106	2	
18	Rear reflector, red	-	-	-	-	GU14781570	2	
19	Reflector support	-	-	-	-	GU30781820	2	
20	Number-plate light	-	-	-	-	GU02745200	1	
21	Washer 6,2X18X1	-	-	-	-	GU95100118	2	
22	Reflector support	-	-	-	-	GU01475330	1	
23	Hex socket screw M5X12	-	-	-	-	GU98230512	1	

	<b>V 11 SPORT/MANDELLO 1100 1999-2001</b>	<b>GU016</b>	<b>00</b>	<b>TAB N.</b>	<b>07</b>
	<b>AIR FILTER</b>				

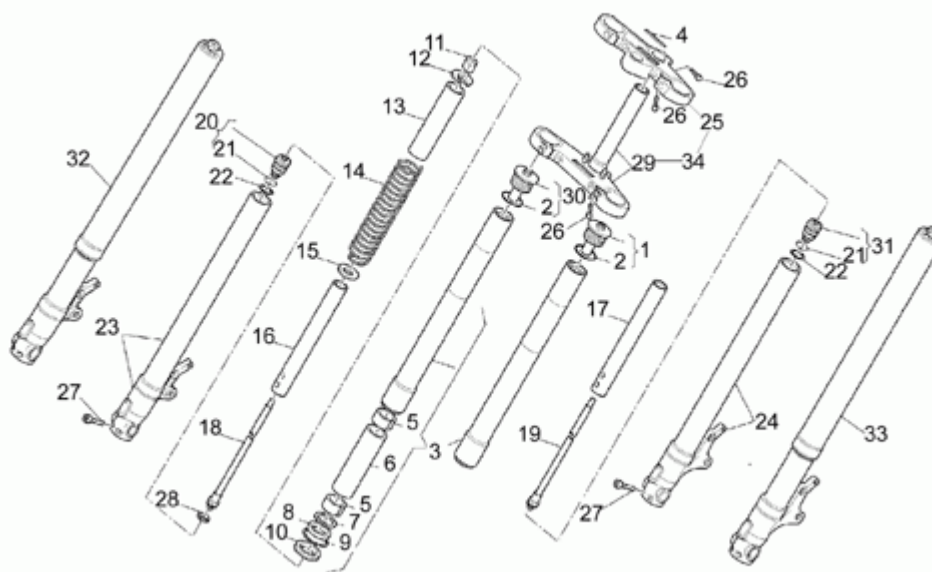


Pos.	Description	Year	I_M_	Country	Version	Code	Q.ty	P.Cod.
1	Air box	-	-	-	-	GU01114031	1	
2	Air filter	-	-	-	-	GU30113600	1	
3	Air filter cover	-	-	-	-	GU37113405	1	
4	Hose	-	-	-	-	GU37114806	2	
5	Hose clamp	-	-	-	-	GU93305040	2	
6	RH plate	-	-	-	-	GU01116730	1	
7	LH plate	-	-	-	-	GU01116731	1	
8	Front plate	-	-	-	-	GU01114130	1	
9	Nut with clip M6	-	-	-	-	GU28576592	1	
10	Screw	-	-	-	-	GU98106082	1	
11	Screw	-	-	-	-	GU98054330	1	
12	Screw	-	-	-	-	GU98230613	3	
13	Hex socket screw M5x10	-	-	-	-	GU98230510	2	
14	Washer 6,15x11x0,8	-	-	-	-	GU95004206	4	
15	Intake hose	-	-	-	-	GU02116901	2	
16	Pipe SAEJ30R9	-	-	-	-	GU00823952080	1	
17	Bored screw	-	-	-	-	GU95990084	1	
18	Gasket	-	-	-	-	GU01154230	2	
19	Hand cone-type	-	-	-	-	GU01114400	2	
20	Union	-	-	-	-	GU30107401	1	

	<b>V 11 SPORT/MANDELLO 1100 1999-2001</b>	<b>GU016</b>	<b>00</b>	<b>TAB N.</b>	<b>08</b>
	<b>FUEL VAPOUR RECOVER SYSTEM</b>				


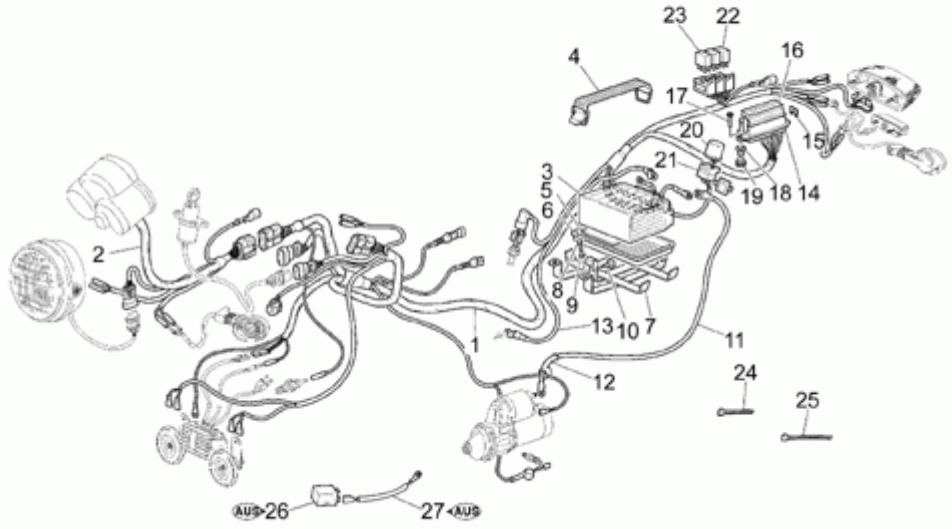


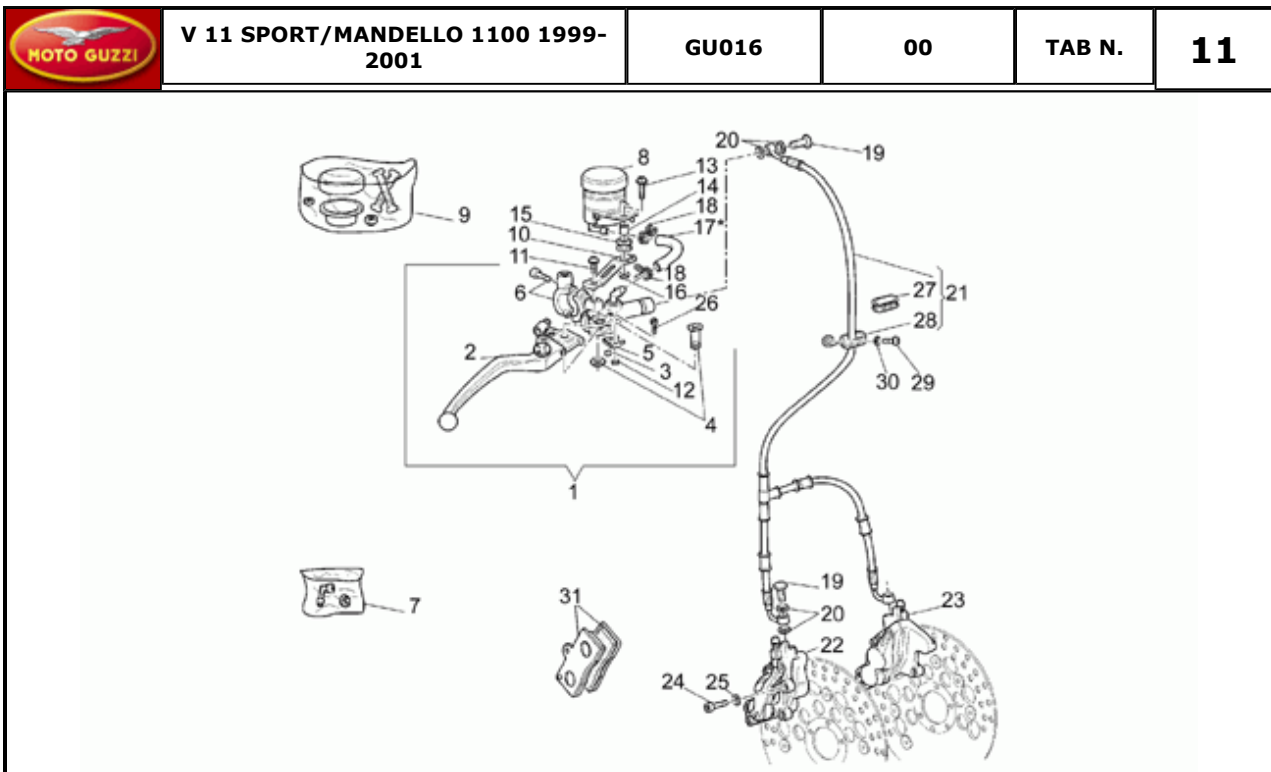
Pos.	Description	Year	I_M_	Country	Version	Code	Q.ty	P.Cod.
1	Fuel tank front insulation	-	-	-	-	GU01103731	1	
2	Fuel tank central insulation	-	-	-	-	GU01103730	1	
3	LH heat protection	-	-	-	-	GU01103831	1	
4	RH heat protection	-	-	-	-	GU01103832	1	
5	Hose clamp	-	-	-	-	GU29108550	16	
6	Oil breather valve	-	-	-	-	GU29104985	1	
7	Pipe SAEJ30R76X121/4"	-	-	-	-	GU00823956060	1	
8	Pressure valve	-	-	-	-	GU01102520	1	
9	Rubber pipe 12,5X7,8 5/16"	-	-	-	-	GU00823956080	1	
10	3-way union	-	-	-	-	GU30106620	1	
11	3-way union	-	-	-	-	GU29106660	2	
12	Carbon filter	-	-	-	-	GU01116030	2	
13	Union	-	-	-	-	GU30115220	2	
14	Hose clamp	-	-	-	-	GU28157950	8	
15	Pipe SAE30 R73/16"	-	-	-	-	GU00823956050	1	
16	Support	-	-	-	-	GU01424632	1	


**V 11 SPORT/MANDELLO 1100 1999-2001**
**GU016**
**00**
**TAB N.**
**09**


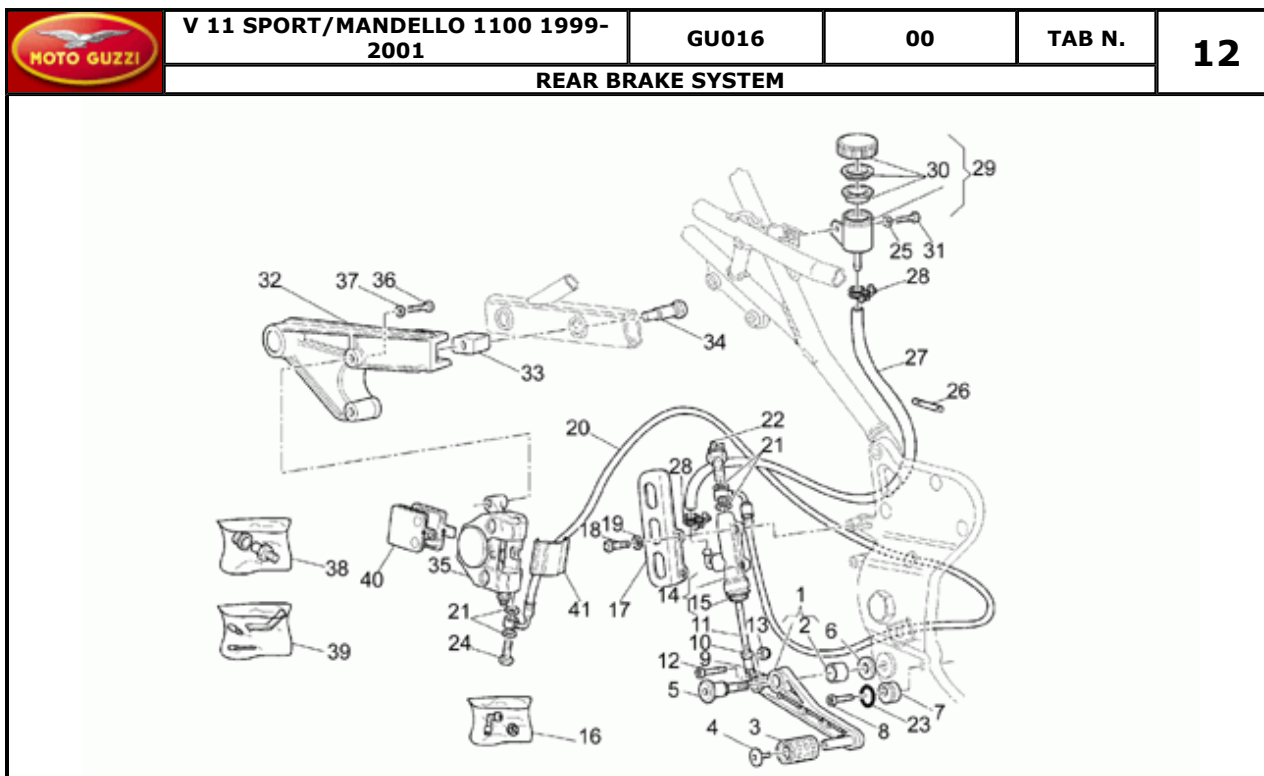
Pos.	Description	Year	I_M	Country	Version	Code	Q.ty	P.Cod.
1	LH plug	-	-	-	-	GU01504530	1	
2	O-ring	-	-	-	-	GU01530564	2	
3	Sleeve	-	-	-	-	GU01530565	2	
	Sleeve	-	-	-	04000N red	GU01530584	2	
4	Decal "Aquila"	-	-	-	-	GU01517700	1	
5	Bush	-	-	-	-	GU01530566	4	
6	Spacer	-	-	-	-	GU01530567	2	
7	Washer	-	-	-	-	GU01530568	2	
8	Gasket ring 40x52x9,5	-	-	-	-	GU27530584	2	
9	Stop ring	-	-	-	-	GU30526261	2	
10	Dust cover	-	-	-	-	GU01530571	2	
11	Return nut	-	-	-	-	GU01530572	2	
12	Cup	-	-	-	-	GU03530508	2	
13	Pipe	-	-	-	-	GU01530574	2	
	Pipe	-	-	-	04000N red	GU01530585	2	
14	Spring	-	-	-	-	GU01526630	2	
15	Cup	-	-	-	-	GU01530575	2	
16	RH pipe	-	-	-	-	GU01530576	1	
17	LH pipe	-	-	-	-	GU01530577	1	
18	RH shock absorber	-	-	-	-	GU01526430	1	
19	LH shock absorber	-	-	-	-	GU01526431	1	
20	Plug cpl.	-	-	-	-	GU01526330	1	
21	O-ring	-	-	-	-	GU01530578	2	
22	O-ring	-	-	-	-	GU03530522	2	
23	RH sleeve cpl.	-	-	-	-	GU01522530	1	
	RH sleeve cpl.	-	-	-	04000N red	GU01522540	1	
24	LH sleeve cpl.	-	-	-	T1	GU01522630	1	
	LH sleeve cpl.	-	-	-	02700N-T2	GU01522631	1	
	LH sleeve cpl.	-	-	-	04000N red	GU01522640	1	
25	Fork upper plate	-	-	-	T3	GU01493130	1	
	Fork upper plate	-	-	-	02700N-T4	GU01493131	1	
	Fork head black	-	-	-	04000N red	GU01493140	1	

26	Screw M8X30	-	-	-	-	-	GU98622430	7
27	Hex socket screw M6X25	-	-	-	-	-	GU98622325	4
28	Ring	-	-	-	-	-	GU01530580	1
29	Lower plate	-	-	-	02700N-T4	-	GU01494031	1
	Bottom plate, black	-	-	-	04000N	red	GU01494040	1
	Lower plate	-	-	-	T3	-	GU01494030	1
30	RH plug	-	-	-	-	-	GU01504531	1
31	LH plug	-	-	-	-	-	GU01526331	1
32	RH sleeve cpl.	-	-	-	-	-	GU01490630	1
	RH sleeve cpl.	-	-	-	04000N	red	GU01490640	1
33	LH sleeve cpl.	-	-	-	T1	-	GU01490730	1
	LH sleeve cpl.	-	-	-	02700N-T2	-	GU01490731	1
	LH sleeve cpl.	-	-	-	04000N	red	GU01490740	1
34	Plate-pair	-	-	-	02700N-T4	-	GU01999231	1

		V 11 SPORT/MANDELLO 1100 1999-2001		GU016	00	TAB N.	10	
ELECTRICAL SYSTEM								
								
Pos.	Description	Year	I_M	Country	Version	Code	Q.ty	P.Cod.
1	Electrical system	-	-	-	-	GU01747130	1	
2	Dashboard cable	-	-	-	-	GU01747230	1	
3	Battery 12V-13A	-	-	-	-	GU01704501	1	
4	Fixing snap	-	-	-	-	GU14102600	1	
5	Adhesive gasket	-	-	-	-	GU29579460	1	
6	Battery holder	-	-	-	-	GU28707050	1	
7	Frame	-	-	-	-	GU01418230	1	
8	Screw	-	-	-	-	GU98054314	4	
9	Washer 6,15x11x0,8	-	-	-	-	GU95004206	4	
10	Drift	-	-	-	-	GU19705900	2	
11	Starter motor wiring harness	-	-	-	-	GU02748401	1	
12	Cap	-	-	-	-	GU19707100	2	
13	Ground-battery lead	-	-	-	-	GU02747901	1	
14	Fuse holder box	-	-	-	-	GU01743030	1	
15	Fuse 10A	-	-	-	-	GU28742559	2	
	Fuse 15A	-	-	-	-	GU28742560	1	
	Fuse 30A	-	-	-	-	GU28742562	1	
	Fuse 5A	-	-	-	-	GU28742558	4	
16	Decal "schema fusibili"	-	-	-	-	GU01945030	1	
17	Screw	-	-	-	-	GU98230515	2	
18	Bush	-	-	-	-	GU01746630	2	
19	Rubber spacer	-	-	-	-	GU91551085	2	
20	Flasher unit	-	-	-	-	GU17750520	1	
21	Support	-	-	-	-	GU30756100	1	
22	Relay Siemens A302B1005	-	-	-	02401N	GU01732530	2	
23	Relay shunt va.siem. A1001A403	-	-	-	02401N	GU01731760	1	
24	Hose clamp 3,6x20,6	-	-	-	-	GU14609650	50	
25	Hose clamp 3,6x375	-	-	-	-	GU93304390	4	
26	Flasher unit	-	-	AUS	-	GU31750560	1	
27	Ground-battery lead	-	-	AUS	-	GU31755660	1	


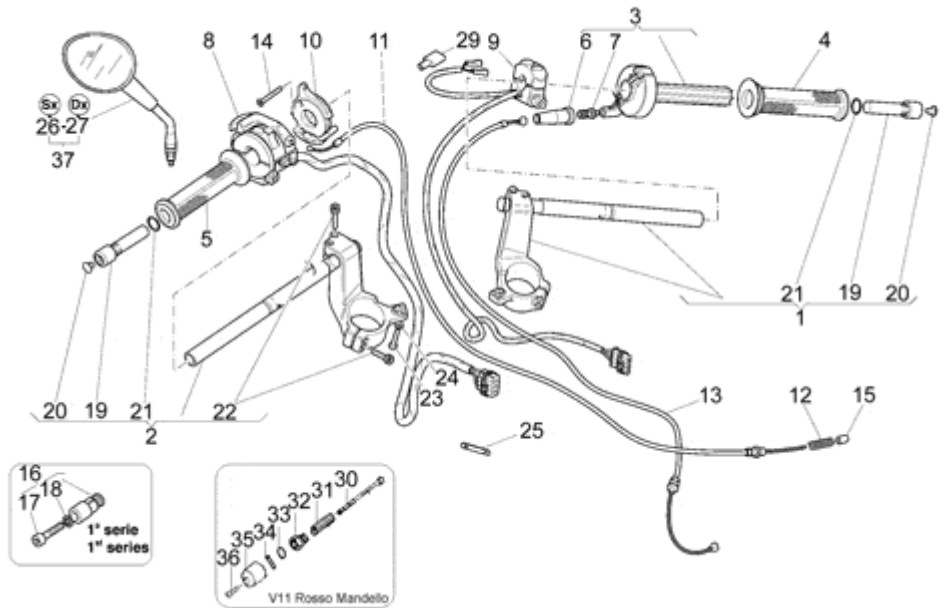


Pos.	Description	Year	I_M	Country	Version	Code	Q.ty	P.Cod.
1	Front brake master cyl.black	-	-	-	04000N	red	GU01660140	1
	Front master cilinder	-	-	-	-	-	GU01660130	1
2	Front brake lever	-	-	-	-	-	GU01605630	1
	Brake control lever black	-	-	-	04000N	red	GU01605640	1
3	Ball	-	-	-	-	-	GU92295708	1
4	Pin	-	-	-	-	-	GU27604815	1
5	Microswitch	-	-	-	-	-	GU30749860	1
6	U-bolt	-	-	-	-	-	GU01530582	1
7	Pump connection overhaul unit	-	-	-	-	-	GU19659500	1
8	Brake oil tank	-	-	-	-	-	GU30665000	1
9	Tank cover	-	-	-	-	-	GU30661100	1
10	Clamp	-	-	-	-	-	GU01661430	1
11	Screw	-	-	-	-	-	GU98230613	1
12	Nut	-	-	-	-	-	GU92601002	2
13	Screw	-	-	-	-	-	GU98220620	1
14	Spacer 6,2x8x13,5	-	-	-	-	-	GU91180617	1
15	Rubber spacer 8x18	-	-	-	-	-	GU91551167	1
16	Nut	-	-	-	-	-	GU92660604	1
17	Rear brake hose	-	-	-	-	-	GU00823950050	1
18	Hose clamp D9	-	-	-	-	-	GU61108500	2
19	Oil pipe screw *	-	-	-	-	-	GU95990028	3
20	Gasket	-	-	-	-	-	GU25656100	6
21	Complete brake hose, dark grey	-	-	-	02700N	-	GU01658831	1
22	RH Front brake caliper, gold	-	-	-	-	-	GU01652330	1
23	LH Front brake caliper, gold	-	-	-	-	-	GU01652230	1
24	Screw	-	-	-	-	-	GU98623530	4
25	Washer 10,5x16x1	-	-	-	-	-	GU19149800	4
26	Screw	-	-	-	-	-	GU98200214	2
27	Rubber spacer	-	-	-	-	-	GU01658230	1
28	Cable-guide	-	-	-	-	-	GU01658430	1
29	Screw	-	-	-	-	-	GU98230610	1
30	Washer	-	-	-	-	-	GU95001206	1
31	Pads pair	-	-	-	01700N	-	GU01654630	2



Pos.	Description	Year	I_M_	Country	Version	Code	Q.ty	P.Cod.
1	Rear brake lever	-	-	-	-	GU37677005	1	
2	Bush	-	-	-	-	GU37678105	1	
3	Rubber spacer	-	-	-	-	GU14251001	1	
4	Screw	-	-	-	-	GU98230616	1	
5	Pin	-	-	-	-	GU37676605	1	
6	Washer	-	-	-	-	GU95100342	1	
7	Cam	-	-	-	-	GU01677630	1	
8	Hex socket screw M6X25	-	-	-	-	GU98622325	1	
9	Ball joint	-	-	-	-	GU30675300	1	
10	Nut	-	-	-	-	GU92602206	1	
11	Master cylinder rod	-	-	-	-	GU01675200	1	
12	Screw	-	-	-	-	GU98622320	1	
13	Nut M6x1	-	-	-	-	GU92630206	1	
14	Rear master cylinder	-	-	-	-	GU30666900	1	
15	Protection collar	-	-	-	-	GU30530525	1	
16	Pump connection overhaul unit	-	-	-	-	GU19659500	1	
17	Pump protection plate	-	-	-	-	GU30665400	1	
18	Screw	-	-	-	-	GU98230620	2	
19	Washer 6,4x10x0,7	-	-	-	-	GU14217901	2	
20	Brake hose, dark grey	-	-	-	02700N	GU01657531	1	
21	Gasket	-	-	-	-	GU25656100	4	
22	Brake light switch	-	-	-	-	GU14657050	1	
23	O-ring 17,13x2,62	-	-	-	-	GU90706170	1	
24	Oil pipe screw *	-	-	-	-	GU95990028	1	
25	Washer 6,15x11x0,8	-	-	-	-	GU95004206	1	
26	Hose clamp L36 mm	-	-	-	-	GU03609600	1	
27	Rear brake hose	-	-	-	-	GU00823950050	1	
28	Hose clamp	-	-	-	-	GU19157800	2	
29	Brake oil tank complete	-	-	-	-	GU30663500	1	
30	Tank cover	-	-	-	-	GU30661101	1	
31	Hex socket screw M6x16	-	-	-	-	GU98612316	1	
32	Brake hanger plate	-	-	-	-	GU01635800	1	
33	Block	-	-	-	-	GU37636105	1	
34	Special screw	-	-	-	-	GU37638605	1	

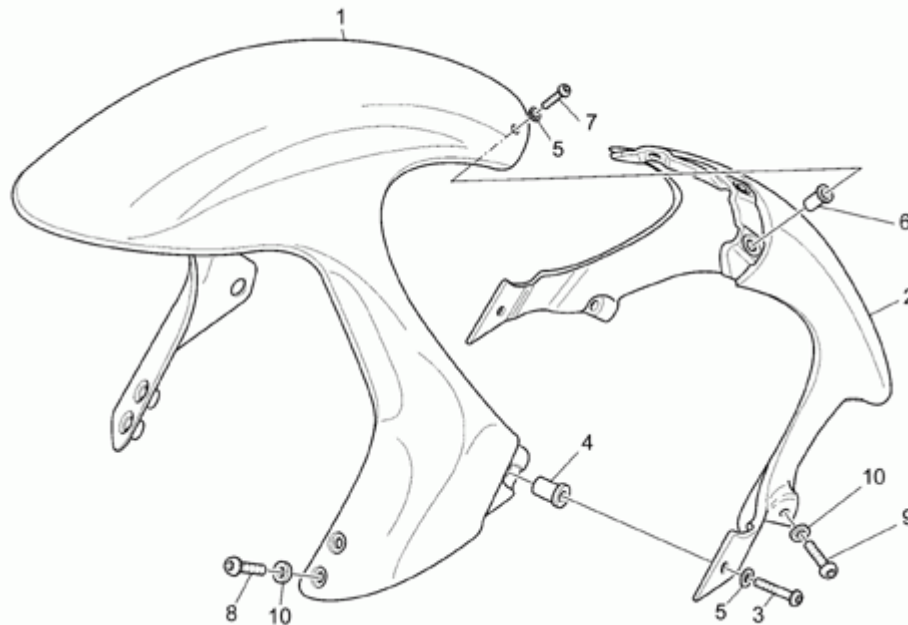
35	Rear brake caliper, gold	-	-	-	-	-	GU30653001	1
36	Screw	-	-	-	-	-	GU98602430	2
37	Washer 8,4X13X0,8	-	-	-	-	-	GU14615901	2
38	Bleeder+cap BREMBO D.10	-	-	-	-	-	GU31659260	1
39	Pin+Brake spring	-	-	-	-	-	GU30659101	1
40	Pads pair BREMBO	-	-	-	-	-	GU27654610	1
41	Brake caliper cover	-	-	-	-	-	GU30654700	1

		V 11 SPORT/MANDELLO 1100 1999-2001	GU016	00	TAB N.	13		
HANDLEBAR - CONTROLS								
								
Pos.	Description	Year	I_M	Country	Version	Code	Q.ty	P.Cod.

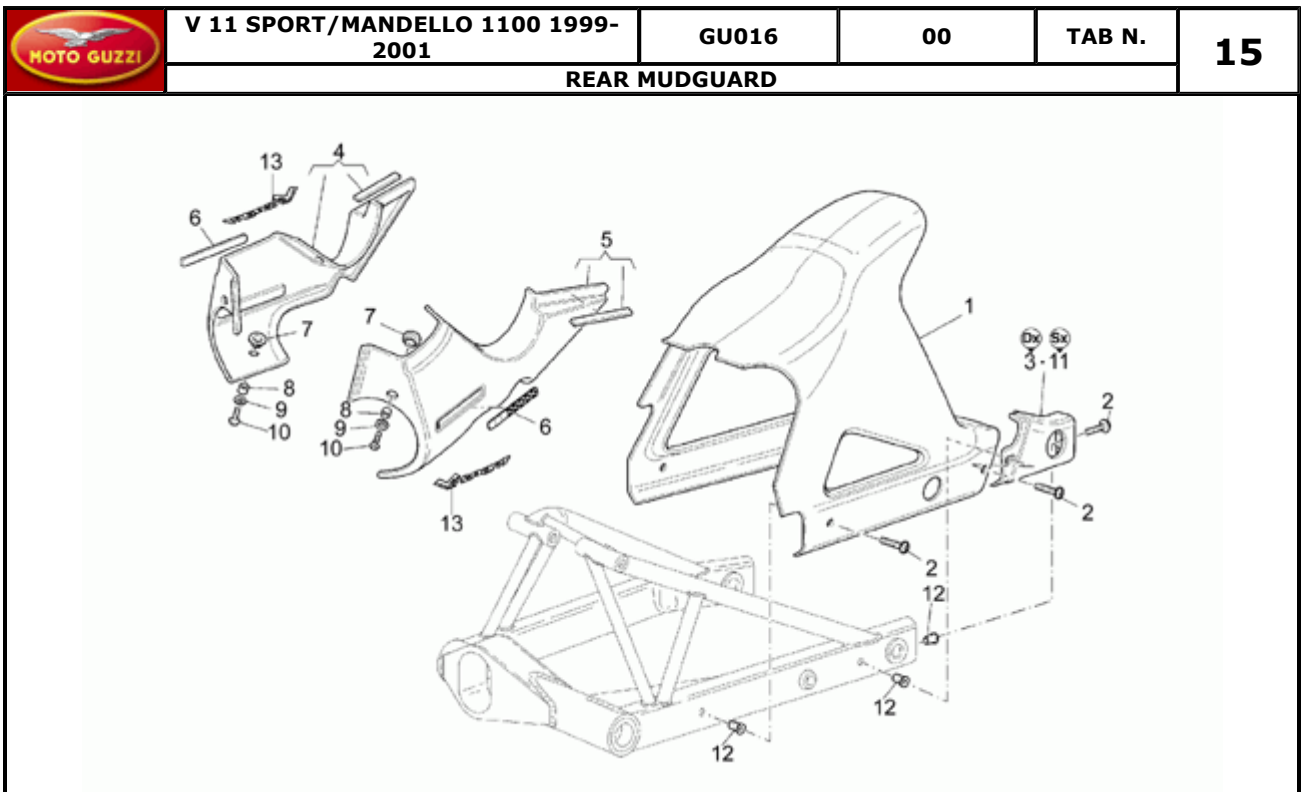
1	Right half handlebar	-	-	-	04000N	red	GU01600632	1
	Right half handlebar	-	-	-	-	-	GU01600631	1
2	Left half handlebar	-	-	-	-	-	GU01600731	1
	Left half handlebar	-	-	-	04000N	red	GU01600732	1
3	Throttle w/out hand grip	-	-	-	-	-	GU01603400	1
4	RH hand grip	-	-	-	-	-	GU30603500	1
5	LH hand grip	-	-	-	-	-	GU30603000	1
6	Cap	-	-	-	-	-	GU27117615	1
7	Adjuster screw	-	-	-	-	-	GU27603715	1
8	LH lights selector	-	-	-	-	-	GU01738030	1
	LH lights selector	-	-	AUS-J-NZ-SGP-USA	-	-	GU01738035	1
9	Engine stop-start device	-	-	-	-	-	GU01738800	1
10	Choke control	-	-	-	-	-	GU01132330	1
11	Choke cable	-	-	-	-	-	GU01132830	1
12	Return spring 7x1,1x25	-	-	-	-	-	GU94321073	1
13	Throttle cable	-	-	-	-	-	GU01117530	1
14	Screw	-	-	-	-	-	GU98250320	2
15	Plug	-	-	-	-	-	GU39094200	1
16	H.bars anti.v weight	-	-	-	-	-	GU30602700	2
17	Screw M6X35	-	-	-	-	-	GU98620335	2
18	Washer 6,4x10x0,7	-	-	-	-	-	GU14217901	2
19	H.bars anti.v weight	-	-	-	-	-	GU01602731	2
20	Plug	-	-	-	-	-	GU01605231	2
21	O-ring	-	-	-	-	-	GU01605831	2
22	Screw	-	-	-	-	-	GU01530583	8
23	Screw	-	-	-	-	-	GU98622215	2
24	Washer	-	-	-	-	-	GU95004205	2
25	Hose clamp L46 mm	-	-	-	-	-	GU01609630	2
26	LH rearview mirror	-	-	-	03100N	-	GU01769832	1
27	RH rearview mirror	-	-	-	03100N	-	GU01769432	1
29	Cap	-	-	-	-	-	GU01664030	1
30	Counterweight	-	-	-	00601N	-	GU01602230	2
31	Rubber spacer	-	-	-	00601N	-	GU01602130	2

32	Ring nut	-	-	-	00601N	-	GU01602930	2
33	O-ring	-	-	-	00601N	-	GU90706099	2
34	Pin	-	-	-	00601N	-	GU95510420	2
35	Counterweight	-	-	-	00601N	-	GU01602830	2
36	Screw	-	-	-	00601N	-	GU98622312	2
37	RH/LH rearview mirror	-	-	-	03100N	-	GU01999232	1

	<b>V 11 SPORT/MANDELLO 1100 1999-2001</b>	<b>GU016</b>	<b>00</b>	<b>TAB N.</b>	<b>14</b>
	<b>FRONT MUDGUARD</b>				



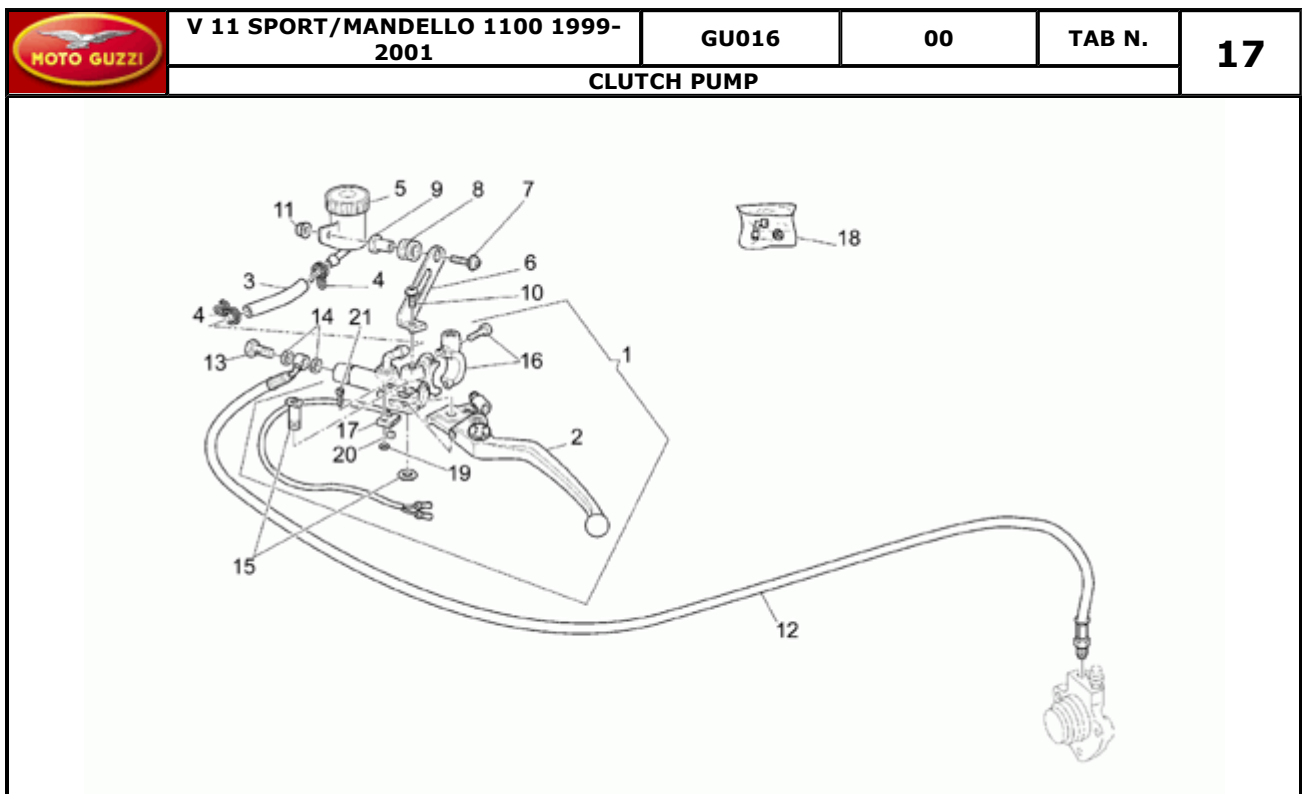
Pos.	Description	Year	I_M	Country	Version	Code	Q.ty	P.Cod.
1	Front mudguard, green	-	-	-	-	g	GU01434332	1
	Front mudguard, silver	-	-	-	-	si	GU01434333	1
	Front mudguard, black	-	-	-	-	bl	GU01434334	1
	Front mudguard, carb.	-	-	-	04000N	red	GU01434340	1
	Front mudguard front side blank	-	-	-	-	gr	GU01434330	1
2	Front mudguard rear side black	-	-	-	-	bl-red	GU01434434	1
	Int. mudguard, blank	-	-	-	-	gr	GU01434430	1
	Bottom front mudguard, green	-	-	-	-	g	GU01434432	1
	Bottom front mudguard, silver	-	-	-	-	si	GU01434433	1
3	Screw	-	-	-	-	-	GU98230515	2
4	Antivibration bush	-	-	-	-	-	GU93231605	2
5	Nylon washer 5,5X12X1	-	-	-	-	-	GU30577800	5
6	Antivibration bush M4x7,9x12,7	-	-	-	-	-	GU93231604	3
7	Screw	-	-	-	-	-	GU98230412	3
8	Screw	-	-	-	-	-	GU98230610	4
9	Hex socket screw M6x18	-	-	-	-	-	GU98230619	2
10	Washer	-	-	-	-	-	GU29577860	6



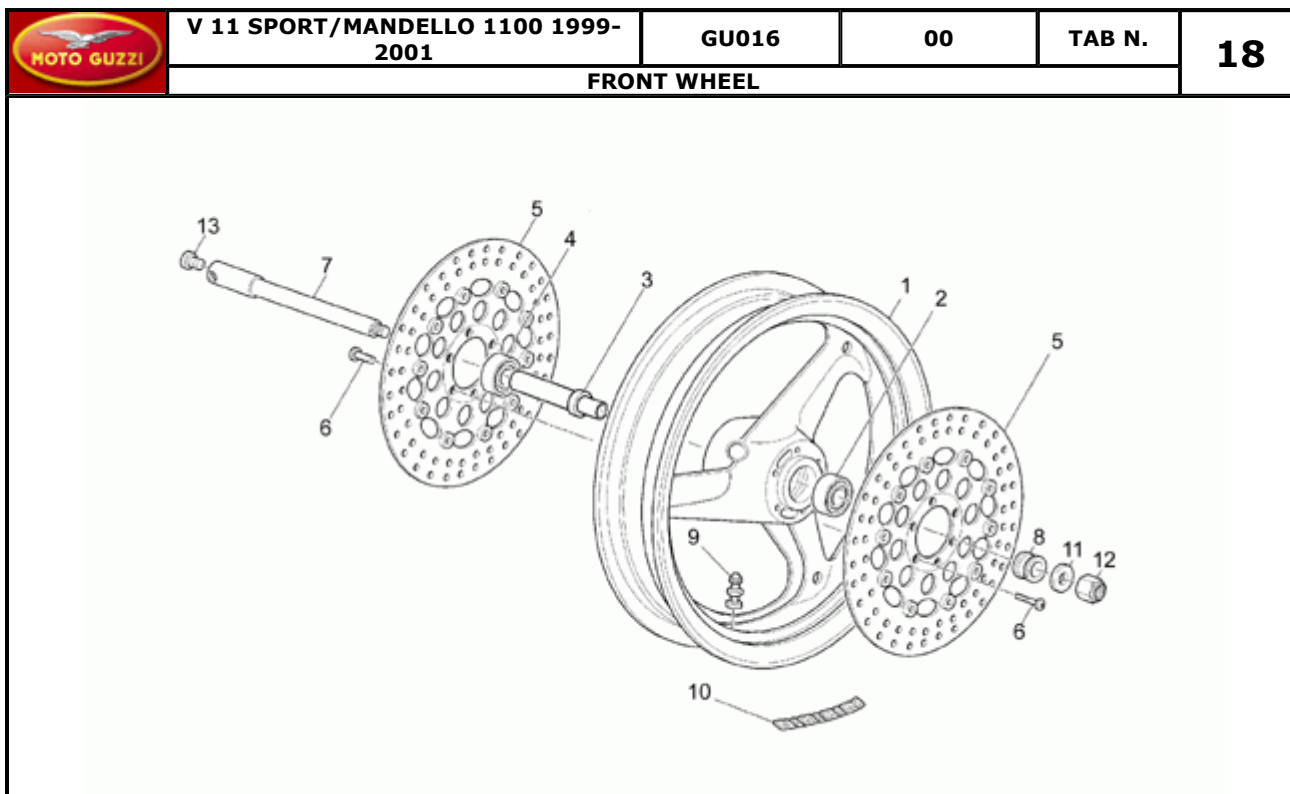
Pos.	Description	Year	I_M	Country	Version	Code	Q.ty	P.Cod.
1	Rear mudguard	-	-	-	-	GU01437030	1	
2	Screw	-	-	-	-	GU98220520	6	
3	RH pin cover	-	-	-	-	GU01546330	1	
	RH pin cover, black	-	-	-	04000N red	GU01546340	1	
4	RH body panel blank	-	-	-	-	gr GU01570230	1	
	RH side panel, green	-	-	-	-	g GU01570232	1	
	RH side panel, silver	-	-	-	-	si GU01570233	1	
	RH side panel, black	-	-	-	-	bl GU01570234	1	
	RH side panel, grey	-	-	-	04000N red	GU01570240	1	
5	LH side panel, black	-	-	-	-	bl GU01570434	1	
	LH body panel blank	-	-	-	-	gr GU01570430	1	
	LH side panel, silver	-	-	-	-	si GU01570433	1	
	LH side panel, grey	-	-	-	04000N red	GU01570440	1	
	LH side panel, green	-	-	-	-	g GU01570432	1	
6	Name plate	-	-	-	-	GU01576031	2	
	Name plate	-	-	-	04000N red	GU01576040	2	
7	Rubber spacer	-	-	-	-	GU93180710	6	
8	Bush	-	-	-	03700N	GU01576131	6	
9	Nylon washer	-	-	-	-	GU01577830	6	
10	Screw	-	-	-	-	GU98230515	6	
11	LH pin cover, dark grey	-	-	-	-	GU01546430	1	
	LH pin cover, black	-	-	-	04000N red	GU01546440	1	
12	Bush	-	-	-	-	GU03742030	6	
13	Decal "V11 Le Mans"	-	-	-	04000N red	GU01575940	2	

Pos.	Description	Year	I_M	Country	Version	Code	Q.ty	P.Cod.
1	Lateral stand	-	-	-	-	GU02432100	1	
2	Plate	-	-	-	-	GU01433400	1	
3	Screw	-	-	-	-	GU30432801	1	
4	Special washer	-	-	-	-	GU95021114	1	
5	Screw	-	-	-	-	GU01433201	1	
6	Plate	-	-	-	-	GU01432730	1	
7	Outer spring	-	-	-	-	GU30434001	1	
8	Washer	-	-	-	-	GU95100120	1	
9	Inner spring	-	-	-	-	GU30434000	1	
10	Plate	-	-	-	-	GU01433600	1	
11	Drift	-	-	-	-	GU93242015	1	
12	Support	-	-	-	-	GU30442705	2	
13	Screw	-	-	-	-	GU98251040	2	
14	Nut M10x1,5	-	-	-	-	GU92630510	2	
15	RH Foot rests	-	-	-	-	GU30440705	1	
16	LH Foot rests	-	-	-	-	GU30441805	1	
17	Pin	-	-	-	-	GU30441005	2	
18	Return spring	-	-	-	-	GU30441105	2	
19	Pin	-	-	-	-	GU30442205	4	
20	Stop ring	-	-	-	-	GU90280006	4	
21	RH footrest support	-	-	-	-	GU01444630	1	
	RH bracket matte black	-	-	-	04000N red	GU01444640	1	
22	LH bracket matte black	-	-	-	04000N red	GU01444740	1	
	LH footrest support	-	-	-	-	GU01444730	1	
23	Rear footrest, RH	-	-	-	-	GU30442405	1	
24	Rear footrest, LH	-	-	-	-	GU30442805	1	
25	Footrest plate	-	-	-	-	GU30443105	2	
26	Spring	-	-	-	-	GU94321062	2	
27	Ball	-	-	-	-	GU92295706	2	
28	Plate	-	-	-	-	GU30441605	2	
29	Flanged nut	-	-	-	-	GU92660310	1	
30	Pipe	-	-	-	-	GU30433800	1	
31	Lever	-	-	-	-	GU01431930	1	

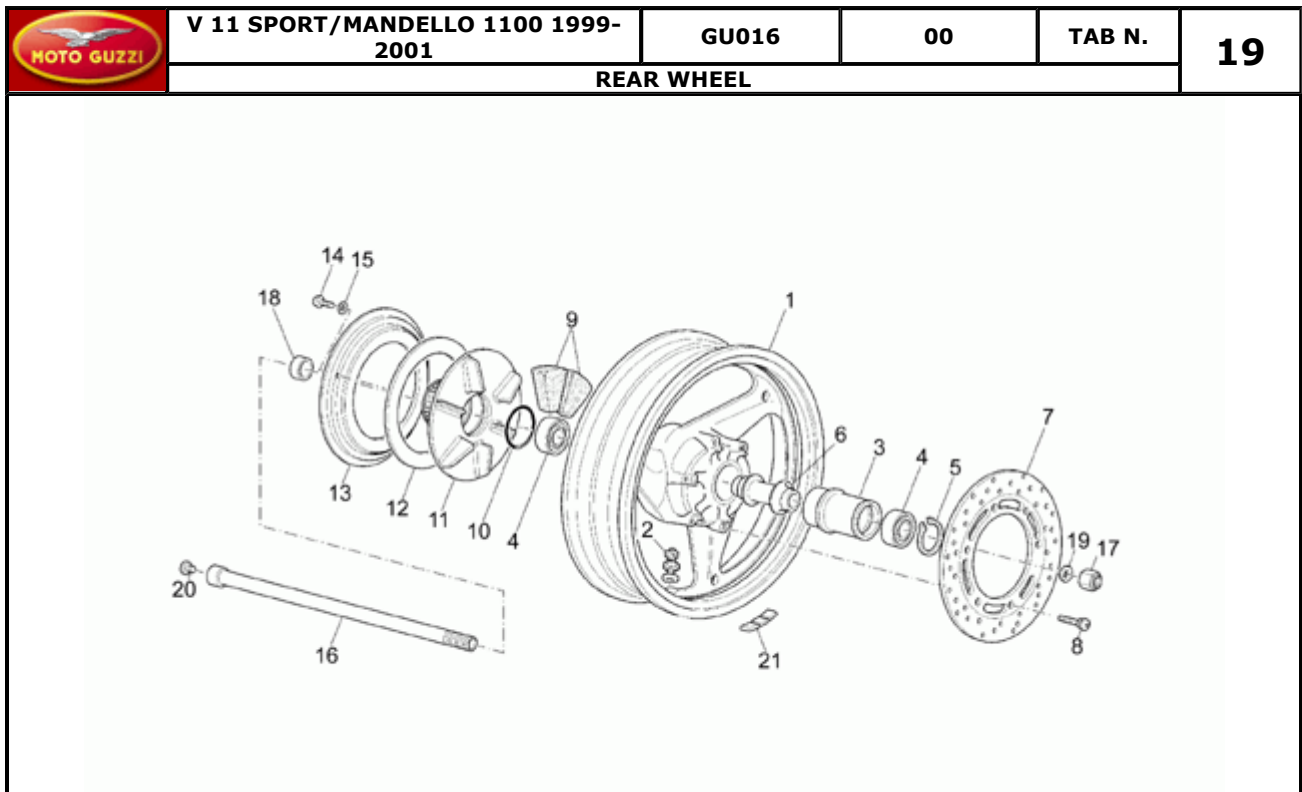
32	Screw	-	-	-	-	-	GU98230618	2
33	Washer 6,4x10x0,7	-	-	-	-	-	GU14217901	2
34	Screw	-	-	-	-	-	GU97040220	1
35	Nut	-	-	-	-	-	GU92602205	1
36	Plate	-	-	-	-	-	GU02433800	1
37	Switch	-	-	-	-	-	GU01759130	1
38	Nut M8X1	-	-	-	-	-	GU92602508	1
39	Flange	-	-	-	-	-	GU01431830	2
40	Screw M6X30	-	-	-	-	-	GU98620330	1
41	Washer	-	-	-	-	-	GU95000206	1
42	Spacer	-	-	-	-	-	GU91180604	1
43	Washer 8,4X13X0,8	-	-	-	-	-	GU14615901	4
44	Screw	-	-	-	-	-	GU98812425	4



Pos.	Description	Year	I_M	Country	Version	Code	Q.ty	P.Cod.
1	Clutch pump	-	-	-	04000N	red	GU01605540	1
	Clutch pump	-	-	-	-	-	GU01605530	1
2	Clutch lever	-	-	-	-	-	GU01605730	1
	Clutch lever	-	-	-	04000N	red	GU01605740	1
3	Pipe	-	-	-	-	-	GU30666200	1
4	Hose clamp D9	-	-	-	-	-	GU61108500	2
5	Oil tank	-	-	-	-	-	GU01663530	1
6	Clamp	-	-	-	-	-	GU01609030	1
7	Screw	-	-	-	-	-	GU98230613	1
8	Rubber spacer	-	-	-	-	-	GU91551083	1
9	Spacer	-	-	-	-	-	GU91120610	1
10	Screw	-	-	-	-	-	GU98220620	1
11	Nut	-	-	-	-	-	GU92660604	1
12	Clutch control pipe dark grey	-	-	-	02700N	-	GU01606531	1
13	Oil pipe screw *	-	-	-	-	-	GU95990028	1
14	Gasket	-	-	-	-	-	GU25656100	2
15	Pin	-	-	-	-	-	GU27604815	1
16	U-bolt	-	-	-	-	-	GU01530582	1
17	Complete microswitch	-	-	-	-	-	GU01530581	1
18	Pump connection overhaul unit	-	-	-	-	-	GU19659500	1
19	Nut	-	-	-	-	-	GU92601002	2
20	Ball	-	-	-	-	-	GU92295708	1
21	Screw	-	-	-	-	-	GU98200214	2



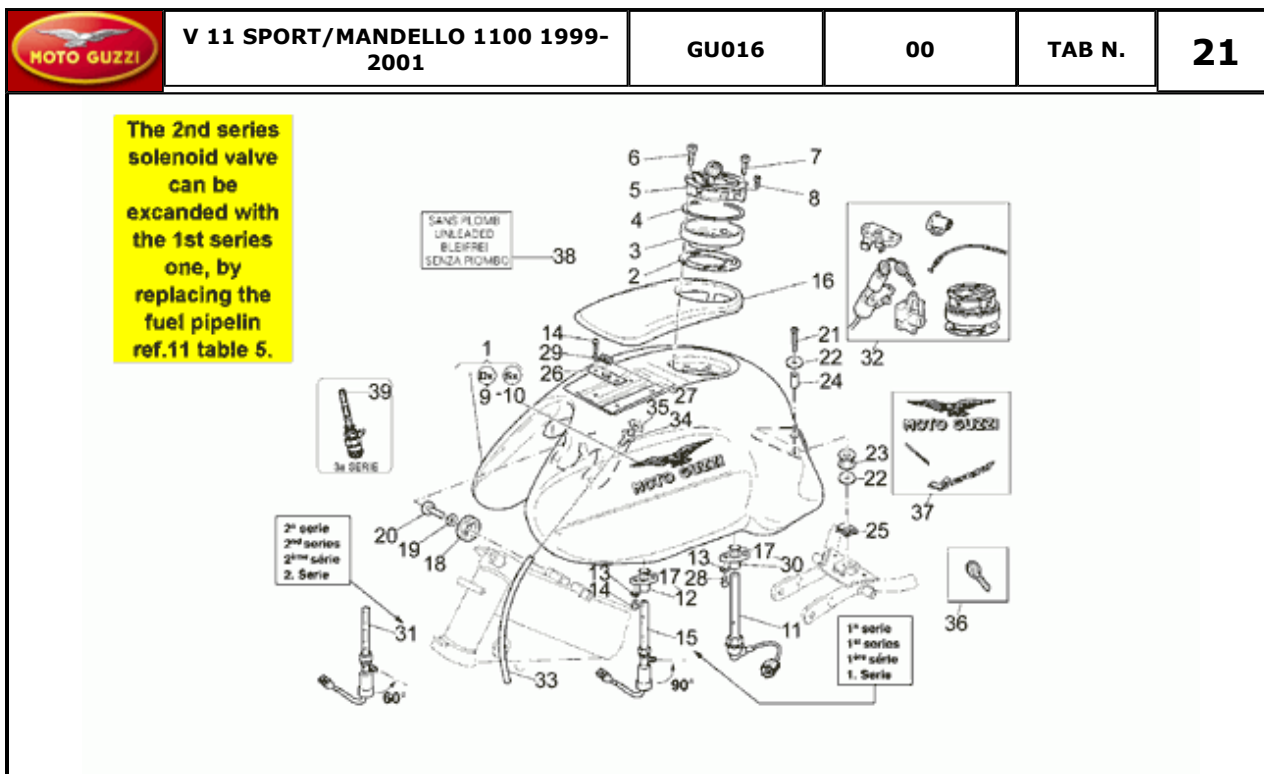
Pos.	Description	Year	I_M	Country	Version	Code	Q.ty	P.Cod.
1	Front wheel, grey 3,5x17"	-	-	-	04000N	red	GU01610340	1
	Front wheel	-	-	-	-	-	GU01610300	1
2	Ball bearing 25x52x15	-	-	-	-	-	GU92205227	1
3	Bearing internal spacer	-	-	-	-	-	GU01615300	1
4	Bearing 20x52x15	-	-	-	-	-	GU92201821	1
5	Front brake disc	-	-	-	03700N-T8	-	GU01613330	2
	Front brake disc	-	-	-	T7	-	GU37613305	2
6	Hex socket screw M8x20	-	-	-	-	-	GU98230820	12
7	Front wheel spindle	-	-	-	02700N-T2	-	GU03614101	1
	Front wheel spindle	-	-	-	T1	-	GU01614130	1
8	Spacer	-	-	-	-	-	GU01616300	1
9	Air valve	-	-	-	-	-	GU28617760	1
10	Counterweight	-	-	-	-	-	GU14616150	1
11	Washer	-	-	-	-	-	GU95004219	1
12	Nut	-	-	-	-	-	GU92630718	1
13	Plug 15 mm	-	-	-	02700N-T2	-	GU93180111	1
	Plug	-	-	-	T1	-	GU03605240	1



Pos.	Description	Year	I_M	Country	Version	Code	Q.ty	P.Cod.
1	Rear wheel, grey	-	-	-	04000N	red	GU01630640	1
	Rear wheel	-	-	-	-	-	GU01630600	1
2	Air valve	-	-	-	-	-	GU28617760	1
3	Hub	-	-	-	-	-	GU01632200	1
4	Ball bearing 20X47X14	-	-	-	-	-	GU92204220	2
5	Circlip	-	-	-	-	-	GU90271055	1
6	Spacer	-	-	-	-	-	GU01634000	1
7	Rear brake disc, black	-	-	-	-	-	GU01635700	1
	Rear brake disc gold	-	-	-	-	-	GU03635700	1
8	Screw	-	-	-	-	-	GU30611460	6
9	Rubber cush drive hub	-	-	-	-	-	GU01336800	12
10	O-ring	-	-	-	-	-	GU90706490	1
11	Flexible coupling disc	-	-	-	-	-	GU01335230	1
12	Ring	-	-	-	-	-	GU14335350	1
13	Flange	-	-	-	-	-	GU14335650	1
14	Screw	-	-	-	-	-	GU98230620	6
15	Special washer	-	-	-	-	-	GU61013800	6
16	Rear wheel spindle	-	-	-	-	-	GU01633330	1
17	Nut	-	-	-	-	-	GU92630718	1
18	Spacer	-	-	-	-	-	GU01634130	1
19	Washer	-	-	-	-	-	GU95004219	1
20	Plug 15 mm	-	-	-	02700N-T2	-	GU93180111	1
	Plug	-	-	-	T1	-	GU93180245	1
21	Counterweight	-	-	-	-	-	GU14616150	1

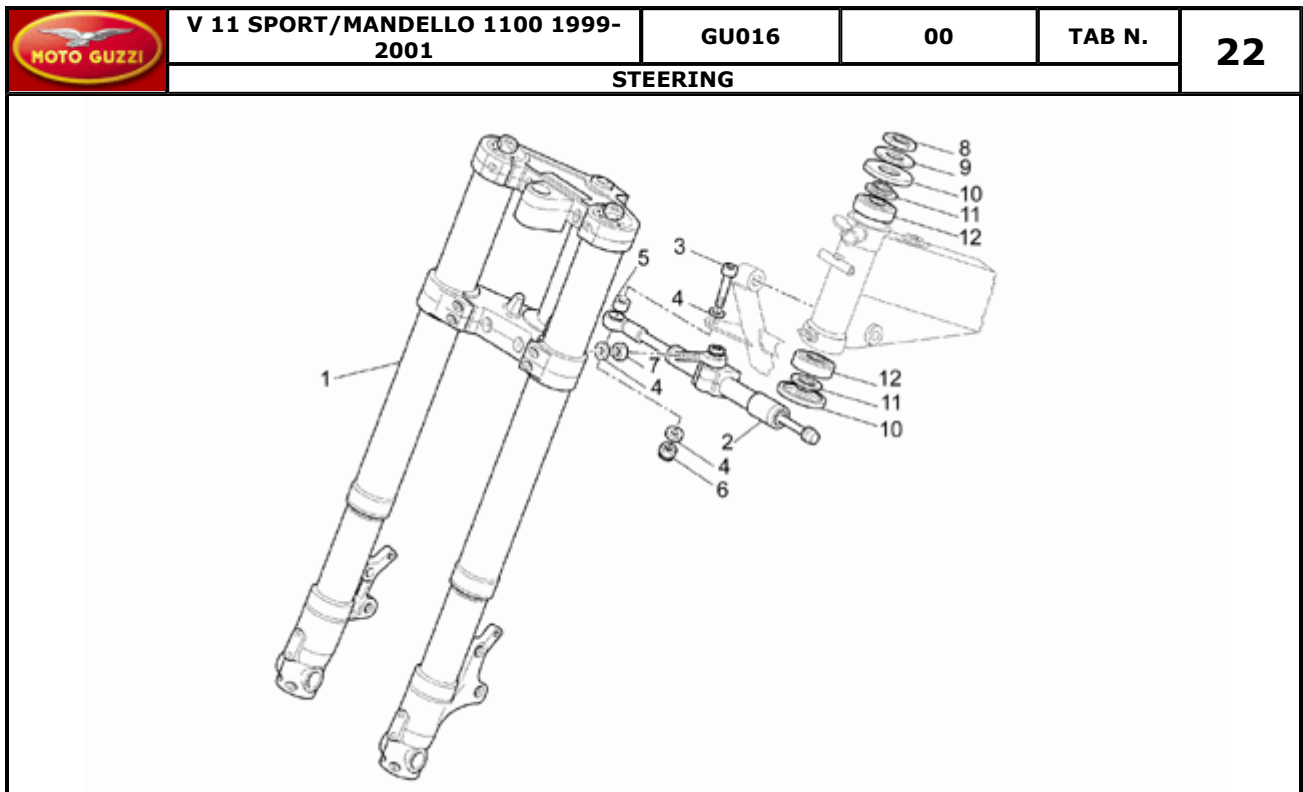
Pos.	Description	Year	I_M	Country	Version	Code	Q.ty	P.Cod.
1	Saddle	-	-	-	-	GU01460535	1	
2	Saddle lock	-	-	-	-	GU02468100	1	
3	Cover pillion rider seat blank	-	-	-	-	gr GU01466430	1	
	Pass. saddle cover, green	-	-	-	-	g GU01466432	1	
	Pass. saddle cover, silver	-	-	-	-	si GU01466433	1	
	Pass. saddle cover, black	-	-	-	-	bl GU01466434	1	
	Pass. saddle cover	-	-	-	04000N	red GU01466440	1	
4	Screw M6X20	-	-	-	-	GU98230621	2	
5	Washer	-	-	-	-	GU29577860	2	
6	Seat cushion	-	-	-	-	GU01461530	1	
7	Nut	-	-	-	-	GU92650006	2	
8	Rear fairing, green	-	-	-	02700N	g GU01573032	1	
	Rear fairing, silver	-	-	-	02700N	si GU01573033	1	
	Rear fairing, black	-	-	-	02700N	bl GU01573034	1	
	Rear fairing, grey	-	-	-	04000N	red GU01573040	1	
	Rear fairing, blank	-	-	-	-	gr GU01573135	1	
9	Rubber spacer	-	-	-	-	GU93180721	4	
10	Spacer	-	-	-	-	GU91120822	2	
11	Screw	-	-	-	-	GU98230831	2	
12	Nut with clip M8x1,25	-	-	-	-	GU01576530	2	
13	Spacer	-	-	-	-	GU91120818	2	
14	Screw M8x35	-	-	-	-	GU98230835	2	
15	Document holder	-	-	-	-	GU01479630	1	
16	Operator's handbook	-	-	-	-	GU01900030	1	
17	Plate	-	-	-	-	GU01462430	1	
18	Screw	-	-	-	-	GU98230620	1	
19	Washer 6,4x10x0,7	-	-	-	-	GU14217901	3	
20	Screw	-	-	-	-	GU98230620	4	
21	Washer 6,15x11x0,8	-	-	-	-	GU95004206	2	
22	"V11 Sport" decal, anthracite	-	-	-	-	GU01923430	1	
	Decal "V11 Sport"	-	-	-	04000N	red GU01923440	2	
23	"V11 Sport" decal, white	-	-	-	-	GU01923432	1	
24	Saddle release cable	-	-	-	-	GU01468830	1	

25	Saddle lock	-	-	-	-	-	GU02468600	1
26	Screw	-	-	-	-	-	GU98280410	1
27	Decal set	-	-	-	-	g-si	GU01923330	1
	Decal set	-	-	-	-	bl	GU01923332	1
	Decal set	-	-	-	04000N	red	GU01923340	1
28	Lock hardware kit	-	-	-	-	-	GU01736830	1


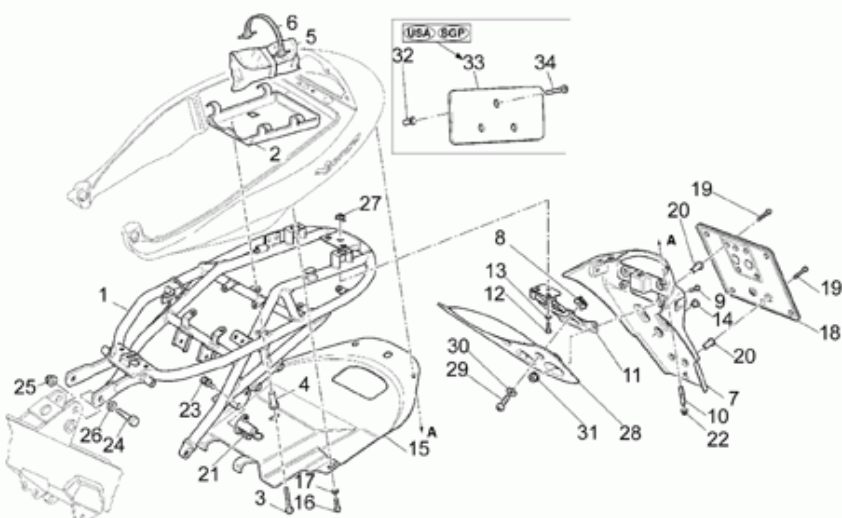


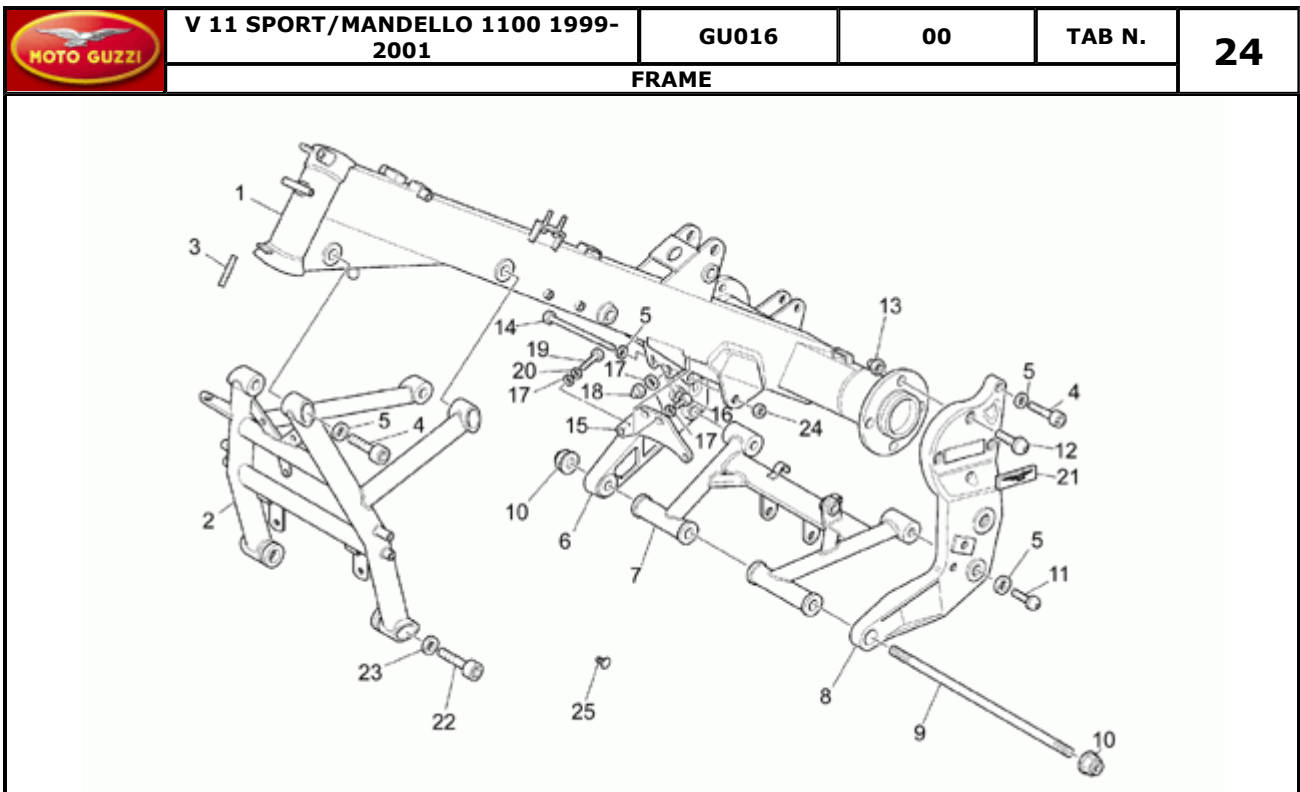
Pos.	Description	Year	I_M_	Country	Version	Code	Q.ty	P.Cod.
1	Fuel tank, green	-	-	-	-	g	GU01100232	1
	Fuel tank, silver	-	-	-	-	si	GU01100233	1
	Fuel tank, black	-	-	-	-	bl	GU01100234	1
	Fuel tank red	-	-	-	04000N	red	GU01100240	1
	Fuel tank blank	-	-	-	-	gr	GU01100230	1
2	Gasket	-	-	-	-	-	GU02102400	1
3	Flange	-	-	-	-	-	GU02102300	1
4	Gasket	-	-	-	-	-	GU01101700	1
5	Fuel filler cap	-	-	-	-	-	GU01103920	1
6	Screw M5X30	-	-	-	-	-	GU98620230	3
7	Hex socket screw M5X10	-	-	-	-	-	GU98622210	3
8	Screw	-	-	-	-	-	GU98622216	1
9	Sticker RH "Moto Guzzi"	-	-	-	04000N	red	GU01917840	1
	"Moto Guzzi" RH decal	-	-	-	-	-	GU01917800	1
10	"Moto Guzzi" LH decal	-	-	-	-	-	GU01917900	1
	Sticker LH "Moto Guzzi"	-	-	-	04000N	red	GU01917940	1
11	Fuel level sensor	-	-	-	-	-	GU01103030	1
12	Flange	-	-	-	-	-	GU01101830	1
13	Washer 5,9X3X0,8	-	-	-	-	-	GU29217960	4
14	Hex socket screw M5x10	-	-	-	-	-	GU98230510	4
15	Fuel cock	-	-	-	1A	-	GU01105330	1
16	Plug block	-	-	-	-	-	GU01104030	1
17	O-ring	-	-	-	-	-	GU90706116	2
18	Rubber spacer	-	-	-	-	-	GU66103415	2
19	Washer 8,4X13X0,8	-	-	-	-	-	GU14615901	2
20	Screw	-	-	-	-	-	GU98622420	2
21	Screw	-	-	-	01700N	-	GU98052445	1
22	Washer	-	-	-	-	-	GU95100239	2
23	Rubber spacer	-	-	-	-	-	GU02107100	1
24	Spacer	-	-	-	-	-	GU91180831	1
25	Nut with clip M8x1,25	-	-	-	-	-	GU01576530	1
26	Plate	-	-	-	-	-	GU02103600	2
27	Rubber spacer	-	-	-	-	-	GU02573900	2
28	Screw	-	-	-	-	-	GU98230515	4

29	Washer 5,9X3X0,8	-	-	-	-	-	GU29217960	4
30	Flange	-	-	-	-	-	GU02101800	1
31	Fuel solenoid valve	-	-	-	2A	-	GU03105300	1
32	Lock hardware kit	-	-	-	-	-	GU01736830	1
33	Rubber pipe 5X9	-	-	-	-	-	GU00823944050	1
34	Union	-	-	-	-	-	GU30103730	2
35	Gasket	-	-	-	-	-	GU30104630	2
36	Non indented key blank	-	-	-	-	-	GU30735500	1
37	Decal set	-	-	-	-	g-si	GU01923330	1
	Decal set	-	-	-	-	bl	GU01923332	1
	Decal set	-	-	-	04000N	red	GU01923340	1
38	Sticker	-	-	-	01700N	-	GU29995735	1
39	Fuel cock	-	-	-	3A	-	GU29105460	1


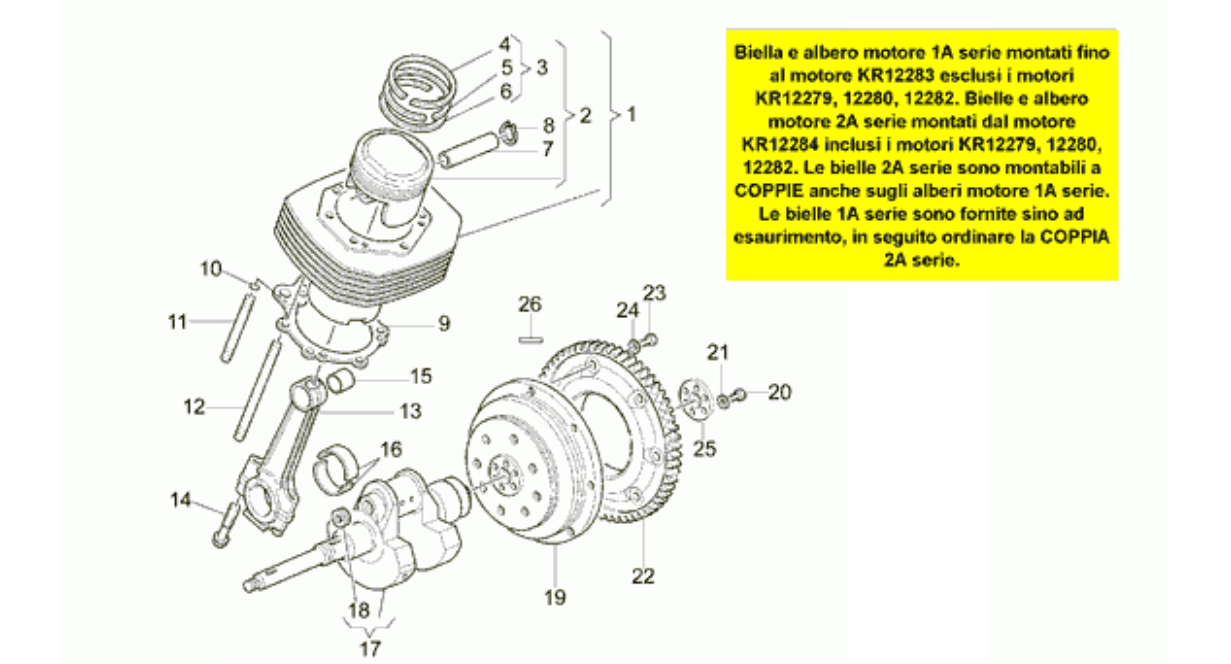


Pos.	Description	Year	I_M	Country	Version	Code	Q.ty	P.Cod.
1	Front fork	-	-	-	04000N red	GU01490240	1	
	Front fork	-	-	-	02700N	GU01490231	1	
2	Steering shock absorber	-	-	-	-	GU01530230	1	
3	Screw M8X40	-	-	-	T1	GU98620440	1	
	Screw M8x35	-	-	-	02700N-T2	GU98230835	1	
4	Washer	-	-	-	-	GU95004208	3	
5	Spacer	-	-	-	T1	GU91180843	1	
	Spacer	-	-	-	02700N-T2	GU91180802	1	
6	Nut	-	-	-	-	GU92630108	1	
7	Nut M8X1,25	-	-	-	-	GU92602208	1	
8	Nut	-	-	-	-	GU92700241	1	
9	Washer	-	-	-	-	GU30516500	1	
10	Dust cover	-	-	-	-	GU14517000	2	
11	Clearance washer	-	-	-	-	GU14516700	2	
12	Tap.roller bearing	-	-	-	-	GU92249225	2	

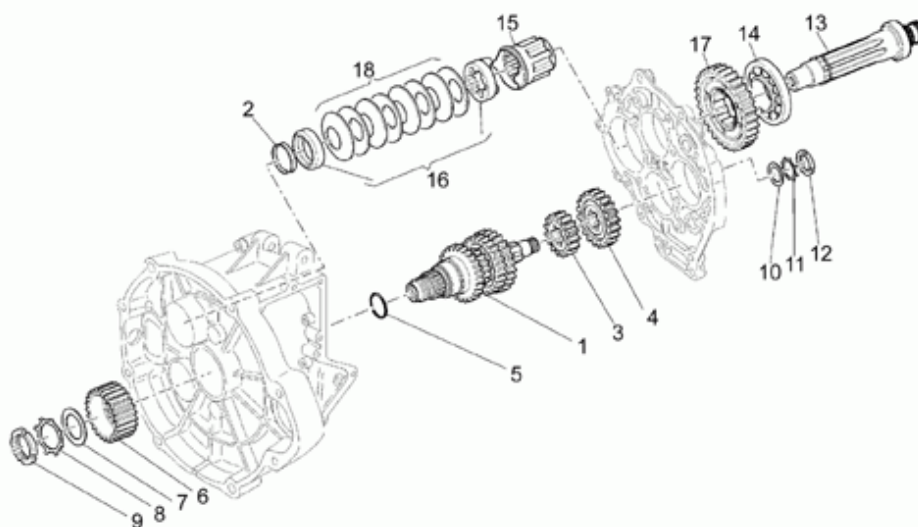
		V 11 SPORT/MANDELLO 1100 1999-2001			GU016	00	TAB N.	23	
REAR BODY									
									
Pos.	Description	Year	I_M_	Country	Version	Code	Q.ty	P.Cod.	
1	Pillar, black	-	-	-	04000N	red	GU01410240	1	
	Saddle support	-	-	-	-	-	GU01410230	1	
2	Tool box	-	-	-	-	-	GU01479530	1	
3	Screw	-	-	-	-	-	GU98220530	1	
4	Bush	-	-	-	-	-	GU93232705	1	
5	Toolkit	-	-	-	T1	-	GU01909930	1	
	Toolkit	-	-	-	02700N-T2	-	GU01909931	1	
6	Belt	-	-	-	-	-	GU01479030	1	
7	Number plate holder	-	-	-	-	-	GU01438630	1	
8	Nut with clip	-	-	-	-	-	GU01576532	2	
9	Screw	-	-	-	-	-	GU98230615	2	
10	Special screw	-	-	-	-	-	GU98450225	2	
11	N.plate support	-	-	-	-	-	GU01475530	1	
12	Screw	-	-	-	-	-	GU98054314	3	
13	Washer 6,4x10x0,7	-	-	-	-	-	GU14217901	3	
14	Plug	-	-	-	-	-	GU93180510	3	
15	Splash guard	-	-	-	-	-	GU01438730	1	
16	Hex socket screw M5X12	-	-	-	-	-	GU98230512	2	
17	Washer 5,9X3X0,8	-	-	-	-	-	GU29217960	2	
18	Number plate holder	-	-	-	-	-	GU01474630	1	
19	Screw	-	-	-	-	-	GU98230520	4	
20	Rubber spacer	-	-	-	01700N	-	GU93232005	4	
21	Helmet lock	-	-	-	-	-	GU66466815	1	
22	Nut	-	-	-	-	-	GU92650105	2	
23	Shear rivet	-	-	-	-	-	GU664668115	2	
24	Screw	-	-	-	-	-	GU98054525	2	
25	Nut	-	-	-	-	-	GU92660210	2	
26	Washer 10,2x18x2	-	-	-	-	-	GU95004210	2	
27	Captive nut	-	-	-	-	-	GU92660601	3	
28	Rear splash guard	-	-	-	-	-	GU01439330	1	
29	Screw	-	-	-	-	-	GU98230515	2	
30	Washer 5,25x14x1,5	-	-	-	-	-	GU95100059	2	
31	Flanged nut	-	-	-	-	-	GU92650106	2	
32	Antivibration bush	-	-	-	-	-	GU93231605	3	
33	Number plate holder	-	-	-	-	-	GU03474635	1	
34	Screw	-	-	-	-	-	GU98230515	3	



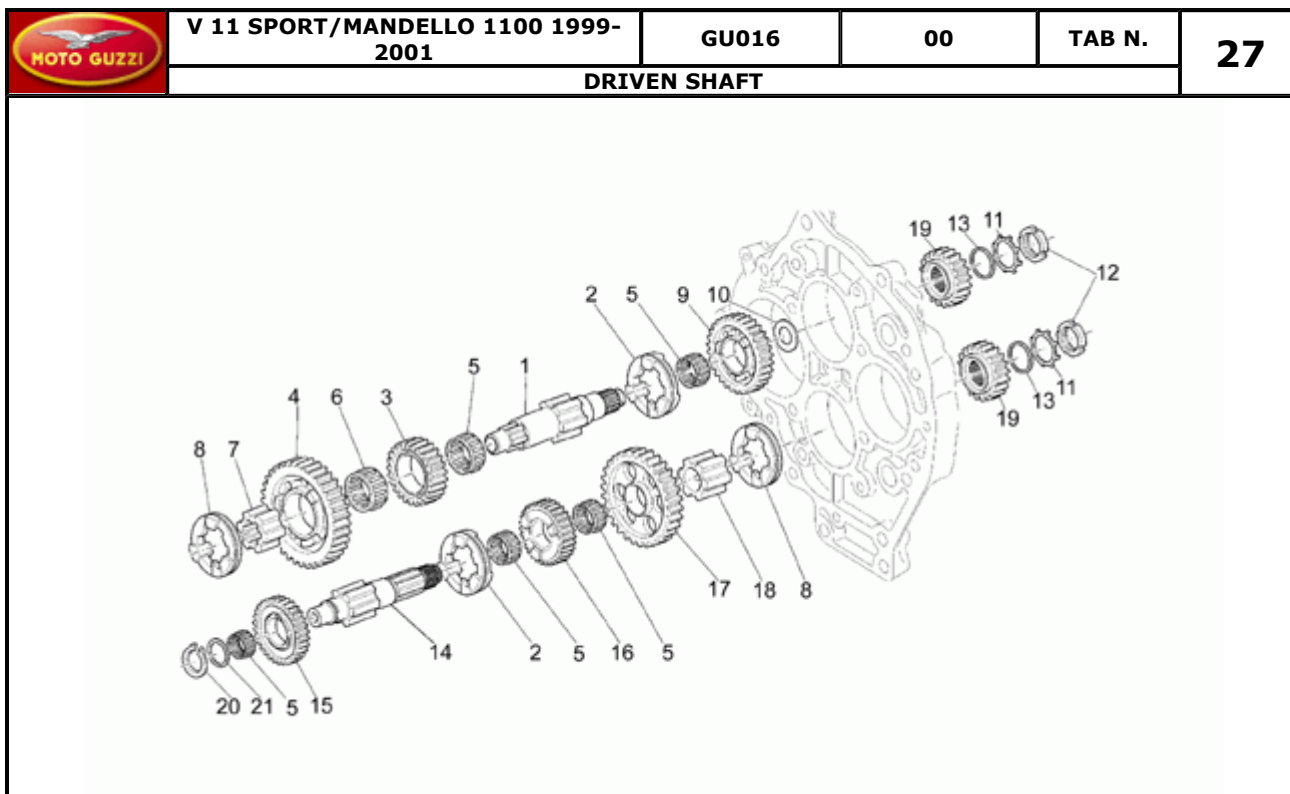
Pos.	Description	Year	I_M	Country	Version	Code	Q.ty	P.Cod.
1	Frame assy black	-	-	-	04000N	red	GU01400140	1
	Frame	-	-	-	-	-	GU01400130	1
2	Cradle, red	-	-	-	-	-	GU01420230	1
	Cradle, black	-	-	-	04000N	red	GU01420240	1
3	Guard decal	-	-	-	-	-	GU02931600	1
4	Screw	-	-	-	-	-	GU98610525	4
5	Washer 10,5x16x1	-	-	-	-	-	GU19149800	6
6	RH plate	-	-	-	04000N	red	GU01415730	1
	RH plate	-	-	-	04000N	red	GU01415740	1
7	Plate connection frame	-	-	-	04000N	red	GU01420140	1
	Plate connection frame	-	-	-	04000N	red	GU01420130	1
8	LH Plate red	-	-	-	-	-	GU01415830	1
	LH plate	-	-	-	04000N	red	GU01415840	1
9	Stud bolt	-	-	-	-	-	GU30419601	1
10	Nut	-	-	-	-	-	GU92660113	2
11	Screw	-	-	-	-	-	GU98231040	1
12	Screw M10X35	-	-	-	-	-	GU98231035	1
	Screw M10X30	-	-	-	-	-	GU98231030	7
13	Nut M10X1,5	-	-	-	-	-	GU92630110	7
14	Screw	-	-	-	-	-	GU98072595	1
15	Plate	-	-	-	T9	-	GU01202830	1
16	Screw	-	-	-	-	-	GU98622420	2
17	Washer	-	-	-	-	-	GU95004208	6
18	Nut	-	-	-	-	-	GU92630708	2
19	Screw sp.60mm	-	-	-	-	-	GU98072460	1
	Screw sp.65mm	-	-	-	-	-	GU98072465	1
20	Washer 8,4X13X0,8	-	-	-	-	-	GU14615901	2
21	Decal "Aquila"	-	-	-	-	-	GU01517700	2
22	Screw	-	-	-	-	-	GU98612635	2
23	Washer 13x18x1,7	-	-	-	-	-	GU30217900	2
24	Nut M10x1,5	-	-	-	-	-	GU92630510	1
25	Plug	-	-	-	-	-	GU01765630	4

 <b>V 11 SPORT/MANDELLO 1100 1999-2001</b>		<b>GU016</b>		<b>00</b>		<b>TAB N.</b>		<b>25</b>	
<b>DRIVE SHAFT - CYLINDER - PISTON</b>									
 <p style="background-color: yellow; padding: 5px;"> <b>Biella e albero motore 1A serie montati fino al motore KR12283 esclusi i motori KR12279, 12280, 12282. Bielle e albero motore 2A serie montati dal motore KR12284 inclusi i motori KR12279, 12280, 12282. Le bielle 2A serie sono montabili a COPPIE anche sugli alberi motore 1A serie. Le bielle 1A serie sono fornite sino ad esaurimento, in seguito ordinare la COPPIA 2A serie.</b> </p>									
Pos.	Description	Year	I_M	Country	Version	Code	Q.ty	P.Cod.	
1	Cylinder	-	-	-	01201N	-	GU01060131	2	
2	Piston assy	-	-	-	M1	-	GU01060230	2	
	Piston assy	-	-	-	01201N-M2	-	GU01060231	2	
3	Pistonring set	-	-	-	-	-	GU30060660	2	
4	Piston ring	-	-	-	-	-	GU30060760	2	
5	Piston ring	-	-	-	-	-	GU30060960	2	
6	Piston ring	-	-	-	-	-	GU30061060	2	
7	Piston pin	-	-	-	-	-	GU30061241	2	
8	Stop ring	-	-	-	-	-	GU90351038	4	
9	Gasket	-	-	-	-	-	GU14020865	2	
10	O-ring 9x2	-	-	-	-	-	GU90706094	4	
11	Stud bolt	-	-	-	-	-	GU12021800	4	
12	Stud bolt	-	-	-	-	-	GU12021700	8	
13	Connecting rod	-	-	-	2A	-	GU01061530	2	
	Connecting rod	-	-	-	1A	-	GU37061506	2	
14	Connecting rod screw	-	-	-	-	-	GU37062206	4	
15	Bush	-	-	-	-	-	GU91112128	2	
16	Bearing half-shell 0,254 mm	-	-	-	M	-	GU37062006	4	
	Bearing half-shell 0,508 mm	-	-	-	M	-	GU37062007	4	
	Bearing half-shell 0,762 mm	-	-	-	M	-	GU37062008	4	
	Bearing half-shell	-	-	-	std	-	GU37062005	4	
17	Crankshaft cpl.	-	-	-	2A	-	GU01064131	1	
	Crankshaft cpl.	-	-	-	1A	-	GU37064106	1	
18	Plug	-	-	-	-	-	GU37065405	1	
19	Flywheel	-	-	-	04000N	red	GU01067040	1	
	Flywheel cpl.	-	-	-	-	-	GU04067000	1	
20	Screw M8X25	-	-	-	-	-	GU12067701	6	
21	Washer 8,4X13X0,8	-	-	-	-	-	GU14615901	6	
22	Chain ring	-	-	-	-	-	GU01067930	1	
	Chain ring	-	-	-	04000N	red	GU01067940	1	
23	Screw TCEI M6x12	-	-	-	-	-	GU37067705	8	
24	Washer 6,4x10x0,7	-	-	-	-	-	GU14217901	8	
25	Spacer	-	-	-	04000N	red	GU01067640	1	
26	Pin	-	-	-	04000N	red	GU01067540	3	

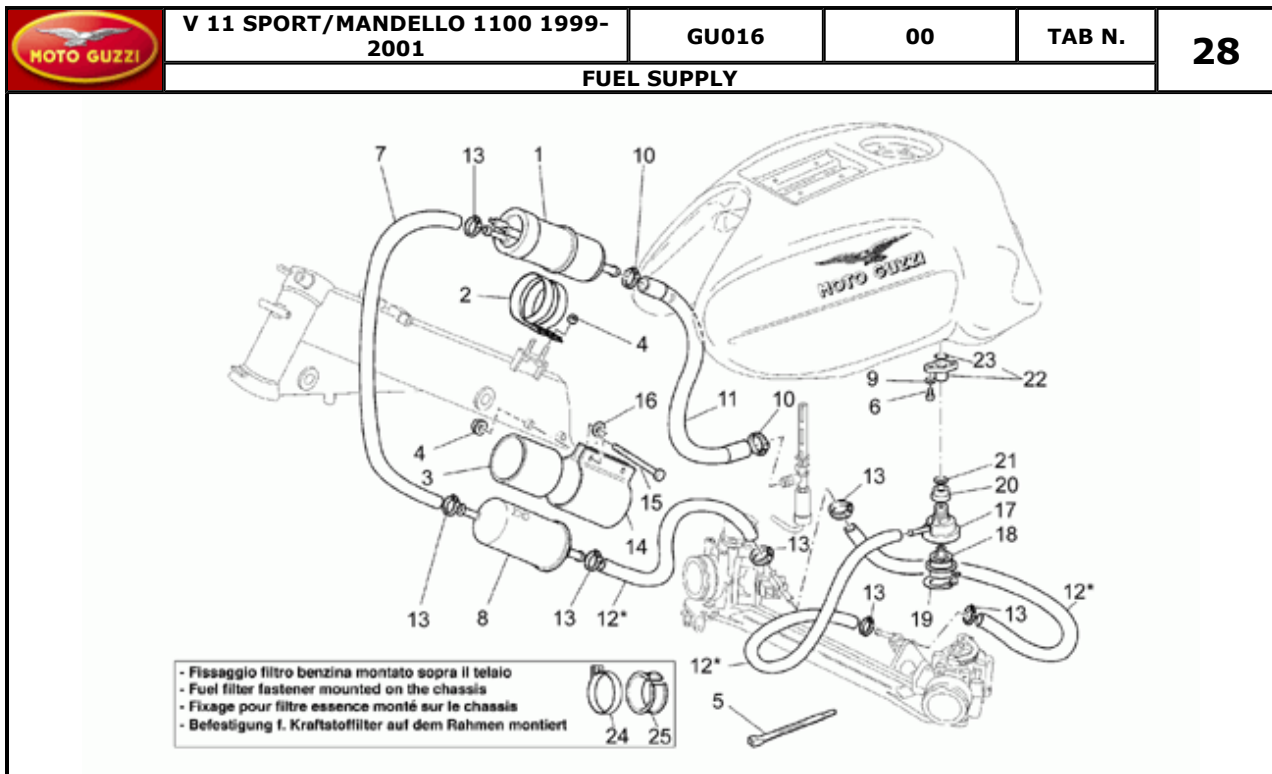
	<b>V 11 SPORT/MANDELLO 1100 1999-2001</b>	<b>GU016</b>	<b>00</b>	<b>TAB N.</b>	<b>26</b>
	<b>PRIMARY GEAR SHAFT</b>				




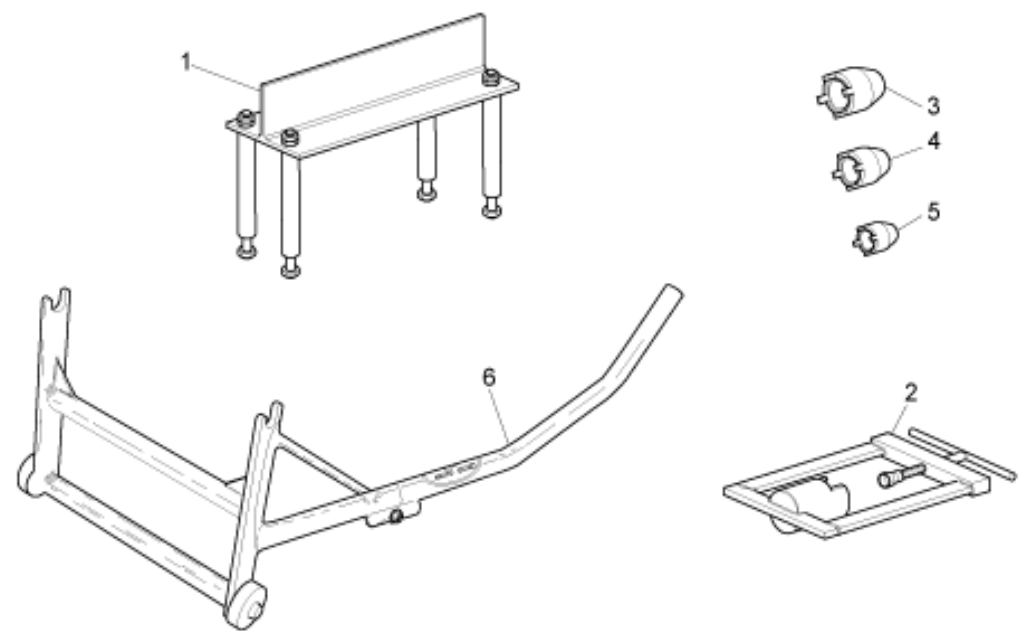
Pos.	Description	Year	I_M_	Country	Version	Code	Q.ty	P.Cod.
1	Primary gear shaft assy.	-	-	-	-	GU04210500	1	
2	Half ring	-	-	-	-	GU12211700	2	
3	Gear 2a vel.Z=18	-	-	-	-	GU04211300	1	
4	Gear 3a vel.Z=22	-	-	-	-	GU04211400	1	
5	O-ring	-	-	-	-	GU90706233	1	
6	Clutch gear	-	-	-	04000N	red	GU01211640	1
7	Clutch gear	-	-	-	-	GU04211600	1	
7	Washer	-	-	-	-	GU04212900	1	
8	Safety washer	-	-	-	-	GU95028025	1	
9	Ring nut	-	-	-	-	GU93601026	1	
10	Washer	-	-	-	-	GU95004221	1	
11	Safety washer	-	-	-	-	GU95028020	1	
12	Ring nut	-	-	-	-	GU93601020	1	
13	Drive shaft	-	-	-	-	GU04218700	1	
14	Ball bearing 35X62X9	-	-	-	-	GU92201035	1	
15	Hose	-	-	-	-	GU04218900	1	
16	Flexible coupling hose kit	-	-	-	-	GU04211201001	1	
17	Gear Z=32	-	-	-	-	GU01215630	1	
18	Belleville spring	-	-	-	-	GU04211500	8	

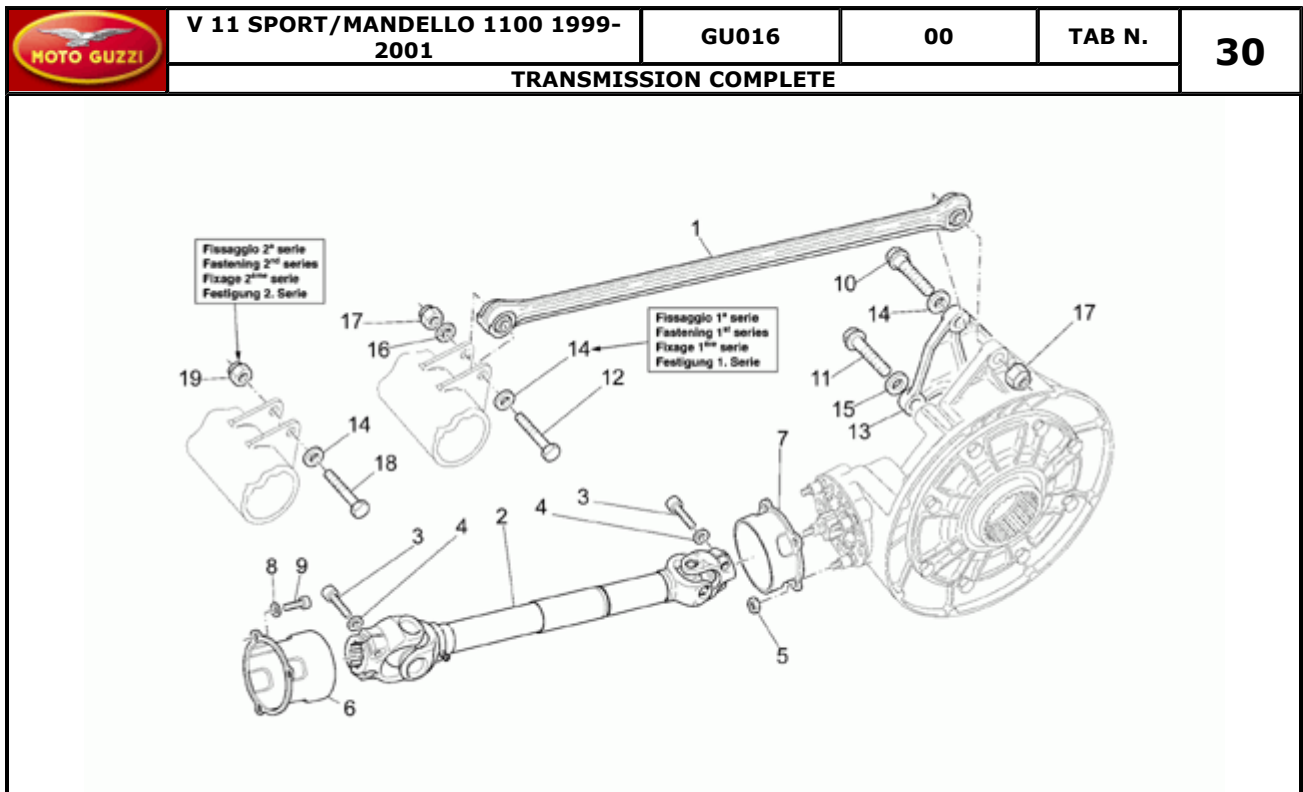


Pos.	Description	Year	I_M	Country	Version	Code	Q.ty	P.Cod.
1	Upper lay shaft	-	-	-	-	GU04213600	1	
2	Hose 3a-5a-4a-6a	-	-	-	-	GU04214900	2	
3	Gear 5a vel.Z=28	-	-	-	-	GU04214000	1	
4	Gear 1a vel.Z=36	-	-	-	-	GU04214200	1	
5	Roller cage 28x33x13	-	-	-	-	GU92252813	5	
6	Roller cage 28x33x17	-	-	-	-	GU92252817	1	
7	Hose	-	-	-	-	GU04232500	1	
8	Moveable hose 1a-2a	-	-	-	-	GU04213900	2	
9	Gear 3a vel.Z=30	-	-	-	-	GU04214700	1	
10	Washer	-	-	-	-	GU04214300	1	
11	Safety washer	-	-	-	-	GU04055000	2	
12	Ring nut	-	-	-	-	GU04055100	2	
13	Washer 2 mm	-	-	-	-	GU10214304	2	
14	Lower lay shaft	-	-	-	-	GU04220700	1	
15	Gear 4a vel.Z=30	-	-	-	-	GU04215000	1	
16	Gear 6a vel.Z=23	-	-	-	-	GU04220500	1	
17	Gear 2a vel.Z=32	-	-	-	-	GU04214400	1	
18	Hose	-	-	-	-	GU04221400	1	
19	Drive gears Z=19	-	-	-	-	GU01217530	2	
20	Circlip	-	-	-	-	GU90271228	1	
21	Thrust washer	-	-	-	-	GU04215401	1	

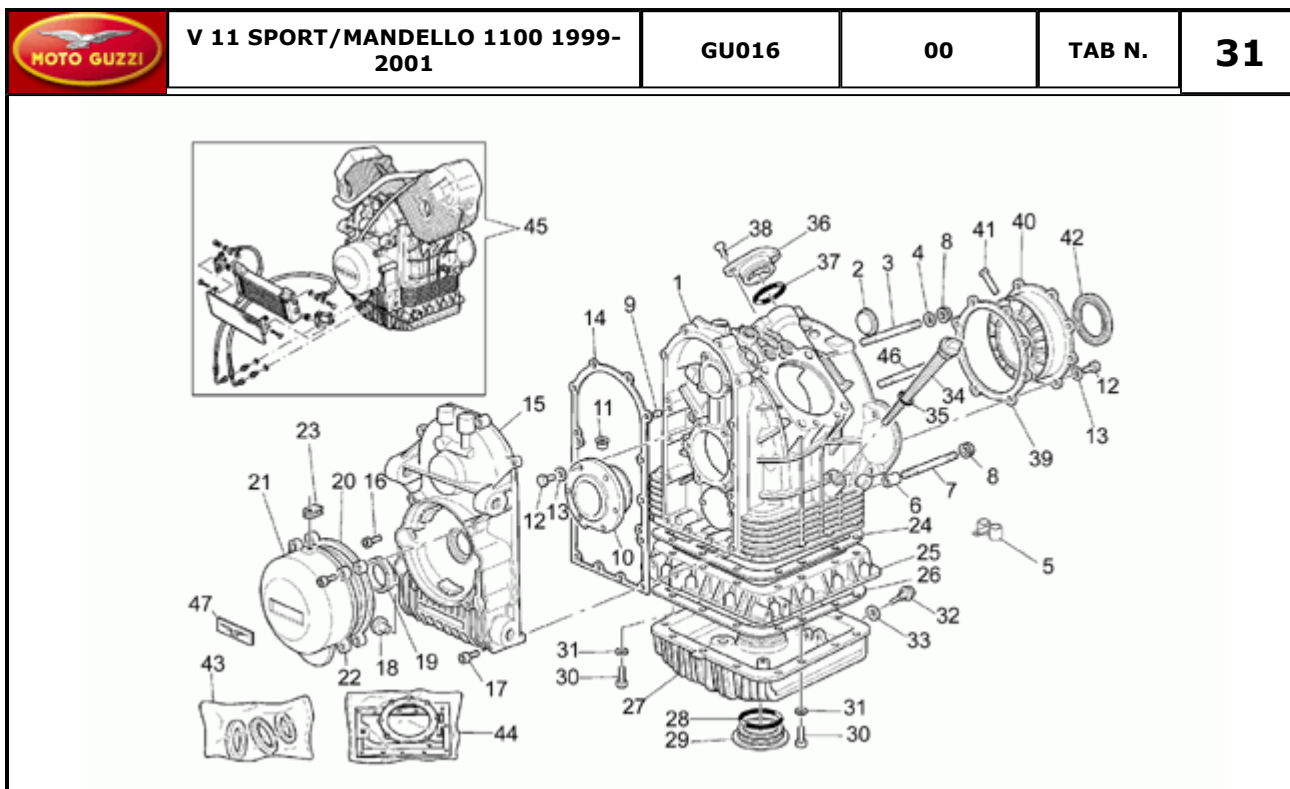


Pos.	Description	Year	I_M_	Country	Version	Code	Q.ty	P.Cod.
1	Fuel pump	-	-	-	-	GU01107231	1	
2	Hose clamp	-	-	-	-	GU01107330	2	
3	Support rubber part	-	-	-	-	GU30105800	1	
4	Flanged nut	-	-	-	-	GU92650106	4	
5	Hose clamp 8,8x185	-	-	-	-	GU30609600	1	
6	Hex socket screw M5x10	-	-	-	-	GU98230510	2	
7	Pipe from p"ump to filter	-	-	-	-	GU01106130	1	
8	Fuel filter	-	-	-	-	GU30106000	1	
9	Washer 5,9X3X0,8	-	-	-	-	GU29217960	2	
10	Hose clamp	-	-	-	-	GU12157900	2	
11	Pipe 295 mm	-	-	-	P3	GU01106531	1	
	Pipe 230mm	-	-	-	P1	GU01106530	1	
	Pipe 320mm	-	-	-	P2	GU01106530001	1	
12	Pipe SAEJ30R9	-	-	-	-	GU00823952080	1	
13	Hose clamp	-	-	-	-	GU93305017	7	
14	Hose clamp	-	-	-	-	GU30113800	1	
15	Screw	-	-	-	-	GU98052370	2	
16	Washer 6,4x12x1,2	-	-	-	-	GU95100141	2	
17	Voltage regulator support	-	-	-	-	GU01112900	1	
18	Fuel pressure regulator	-	-	-	-	GU01112800	1	
19	Circlip	-	-	-	-	GU90272037	1	
20	Ring nut	-	-	-	-	GU30105200	1	
21	Gasket	-	-	-	-	GU90714103	1	
22	Flange	-	-	-	-	GU01101830	1	
23	O-ring	-	-	-	-	GU90706116	1	
24	Hose clamp	-	-	-	-	GU01113830	2	
25	Rubber protection	-	-	-	-	GU29105860	2	

		V 11 SPORT/MANDELLO 1100 1999-2001			GU016	00	TAB N.	29	
ENGINE SPECIFIC TOOLS									
									
Pos.	Description	Year	I_M_	Country	Version	Code	Q.ty	P.Cod.	
1	Tool gearbox resting onto vice	-	-	-	-	GU01912530	1		
2	Flexible couplings assembly	-	-	-	-	GU01966330	1		
3	Locking mm34 on gear 1a shaft	-	-	-	-	GU01913430	1		
4	Locking mm28 on gear 1a shaft	-	-	-	-	GU01913830	1		
5	Locking mm24 on gear 1a shaft	-	-	-	-	GU01913730	1		
6	Central stand	-	-	-	01900N	GU00979717	1		


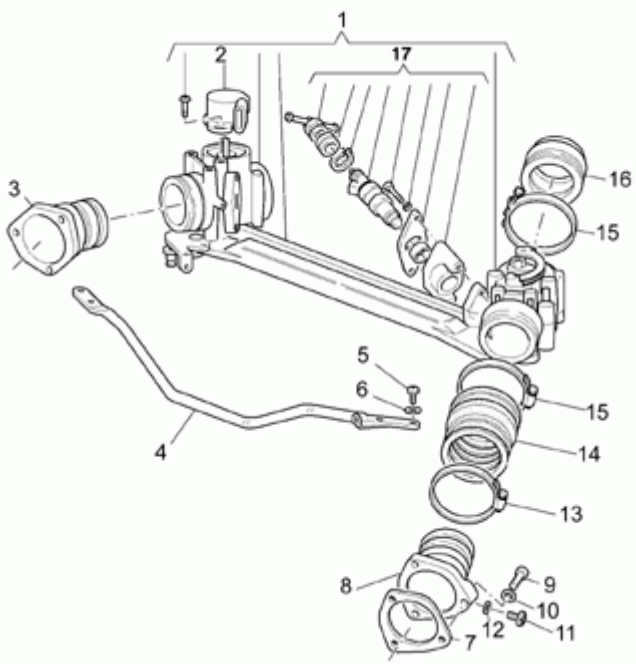


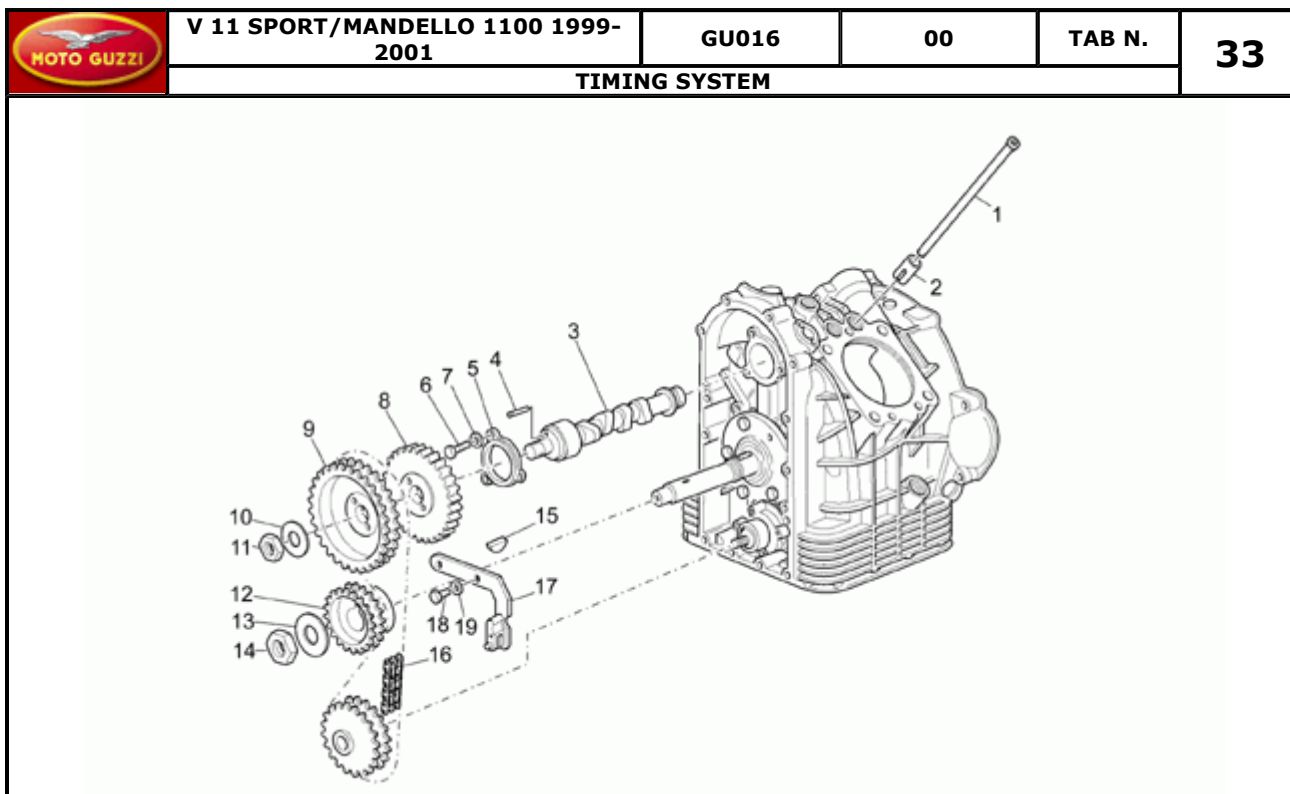
Pos.	Description	Year	I_M	Country	Version	Code	Q.ty	P.Cod.
1	Reaction rod assy.	-	-	-	-	GU01358830	1	
	Complete reaction rod black	-	-	-	04000N	red	GU01358840	1
2	Drive shaft	-	-	-	-	GU01358730	1	
3	Screw	-	-	-	-	GU98832430	4	
4	Washer 8,4X13X0,8	-	-	-	-	GU14615901	4	
5	Self-locking nut M6X1	-	-	-	-	GU92630506	4	
6	Protection black	-	-	-	04000N	red	GU01358640	1
	Front protection	-	-	-	-	GU04358600	1	
7	Protection black	-	-	-	04000N	red	GU01358340	1
	Rear guard	-	-	-	-	GU04358300	1	
8	Washer 6,4x10x0,7	-	-	-	-	GU14217901	3	
9	Screw	-	-	-	-	GU98622314	3	
10	Screw M10X69	-	-	-	-	GU30357800	1	
11	Screw	-	-	-	-	GU04558700	2	
12	Screw M10x59	-	-	-	-	GU37357706	1	
13	Outer plate black	-	-	-	04000N	red	GU01351040	1
	Ext. plate	-	-	-	-	GU04351000	1	
14	Washer 10,5x16x1	-	-	-	-	GU19149800	2	
15	Washer	-	-	-	-	GU95004213	2	
16	Spacer	-	-	-	-	GU95100303	1	
17	Nut M10x1,25	-	-	-	-	GU92630410	2	
18	Screw M10x55	-	-	-	-	GU01357730	1	
19	Nut M10X1,5	-	-	-	-	GU92630110	1	



Pos.	Description	Year	I_M	Country	Version	Code	Q.ty	P.Cod.
1	Crankcase black	-	-	-	04000N	red	GU01000740	1
	Crankcase	-	-	-	-	-	GU01000700	1
2	Disc	-	-	-	-	-	GU12003900	1
3	Stud bolt M8X66	-	-	-	-	-	GU96508066	1
4	Washer	-	-	-	-	-	GU95004208	4
5	Support	-	-	-	-	-	GU01424630	1
6	Coupling bush	-	-	-	-	-	GU12018900	2
7	Stud bolt M8x75	-	-	-	-	-	GU96508075	1
8	Flanged nut M8	-	-	-	-	-	GU92660021	4
9	Pin	-	-	-	-	-	GU95512081	2
10	Complete flange	-	-	-	std	-	GU14011900	1
	Flange min.0,2 mm	-	-	-	M	-	GU14011901	1
11	Pin	-	-	-	-	-	GU12012200	1
12	Screw M8X25	-	-	-	-	-	GU98054425	14
13	Spring washer 8x15x0,3	-	-	-	-	-	GU61270300	14
14	Cover gasket	-	-	-	-	-	GU05001230	1
15	Timing system cover	-	-	-	-	-	GU01001400	1
	Timing cover black	-	-	-	04000N	red	GU01001440	1
16	Hex socket screw M6X25	-	-	-	-	-	GU98622325	8
17	Screw M6X35	-	-	-	-	-	GU98620335	6
18	Plug	-	-	-	-	-	GU30002100	1
19	Gasket ring 28x38x7	-	-	-	-	-	GU90402840	1
20	Flange	-	-	-	-	-	GU18001150	1
21	Alternator cover grey	-	-	-	-	-	GU01001630	1
22	Screw	-	-	-	-	-	GU98310630	4
23	Rubber spacer	-	-	-	-	-	GU19007700	1
24	Gasket	-	-	-	-	-	GU01003650	1
25	Flange black	-	-	-	04000N	red	GU01003240	1
	Flange	-	-	-	-	-	GU01003202	1
26	Gasket	-	-	-	-	-	GU01003600	1
27	Motor oil cup	-	-	-	-	-	GU01003500	1
	Oil sump black	-	-	-	04000N	red	GU01003540	1
28	O-ring	-	-	-	-	-	GU90706948	1


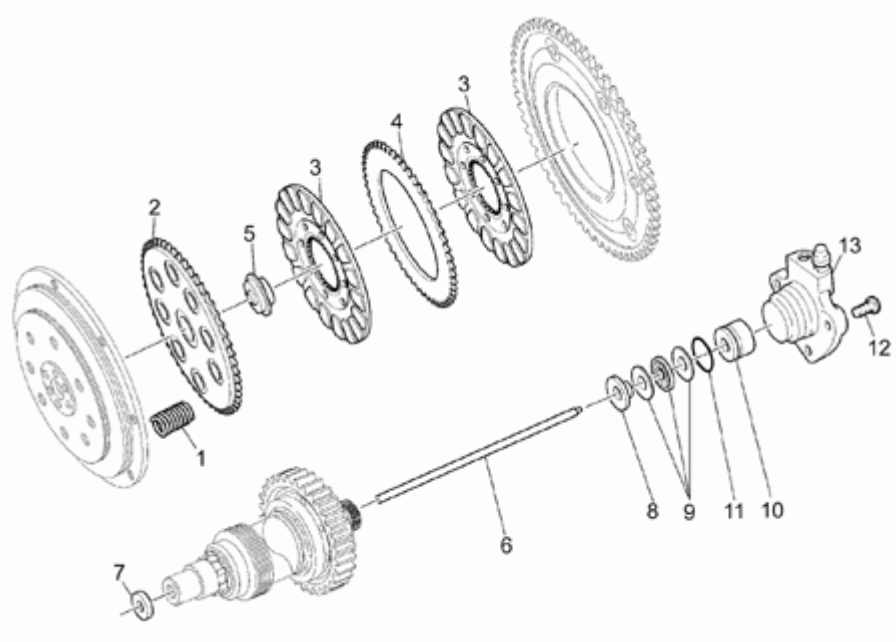
29	Plug	-	-	-	-	-	GU01003400	1
30	Screw	-	-	-	-	-	GU98622322	28
31	Washer 6,15x11x0,8	-	-	-	-	-	GU95004206	28
32	Oil unload plug M10X1	-	-	-	-	-	GU31003766	1
33	Gasket	-	-	-	-	-	GU10528900	1
34	Oil level plug	-	-	-	-	-	GU01004900	1
35	O-ring 17,86X2,62	-	-	-	-	-	GU90706178	1
36	Cover	-	-	-	-	-	GU29018361	1
	Cover black	-	-	-	04000N	red	GU01018340	1
37	O-ring	-	-	-	-	-	GU90706313	1
38	Screw	-	-	-	-	-	GU98250820	2
39	Gasket	-	-	-	-	-	GU12011800	1
40	Complete flange	-	-	-	std	-	GU12011400	1
	Flange min.0,2 mm	-	-	-	M	-	GU12011401	1
	Flange min.0,4 mm	-	-	-	M	-	GU12011402	1
	Flange min.0,6 mm	-	-	-	M	-	GU12011403	1
41	Pin	-	-	-	-	-	GU12011700	1
42	Gasket ring	-	-	-	-	-	GU90405367	1
43	Motor/gear ch.trasm.gasket set	-	-	-	-	-	GU01999030	1
44	Motor/gear ch.tras.oil ret.set	-	-	-	-	-	GU01999530	1
45	Engine cpl.	-	-	-	-	-	GU01991030	1
	Engine black	-	-	-	04000N	red	GU01991040	1
46	Stud bolt M8X51	-	-	-	-	-	GU96508051	2
47	Adhesive label	-	-	-	-	-	GU02517700	1

		V 11 SPORT/MANDELLO 1100 1999-2001	GU016	00	TAB N.	32		
THROTTLE BODY								
								
Pos.	Description	Year	I_M	Country	Version	Code	Q.ty	P.Cod.
1	Throttle body	-	-	-	-	GU01112500	1	
2	Potentiometer	-	-	-	-	GU01530500	1	
3	RH manifold	-	-	-	-	GU01115000	1	
4	Upper crosspiece	-	-	-	-	GU01110530	1	
5	Hex socket screw M5x10	-	-	-	-	GU98230510	4	
6	Washer 5,9X3X0,8	-	-	-	-	GU29217960	4	
7	Gasket	-	-	-	-	GU28115560	2	
8	LH manifold	-	-	-	-	GU01115001	1	
9	Hex socket screw M6X25	-	-	-	-	GU98622325	6	
10	Washer 6,15x11x0,8	-	-	-	-	GU95004206	6	
11	Screw	-	-	-	01700N	GU98310610	2	
12	Washer 6,25x10x1,5	-	-	-	-	GU95100116	2	
13	Hose clamp 57x59,5x10	-	-	-	-	GU93305057	2	
14	Hose	-	-	-	-	GU01114300	2	
15	Hose clamp 61/65,5	-	-	-	00401N	GU93305061	4	
16	Hose	-	-	-	-	GU01114500	2	
17	Injector kit complete	-	-	-	-	GU01530504	2	


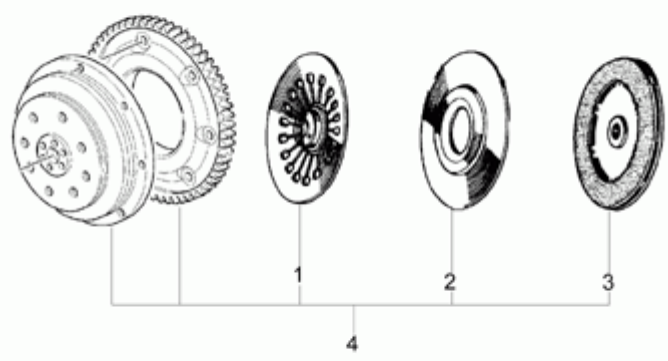


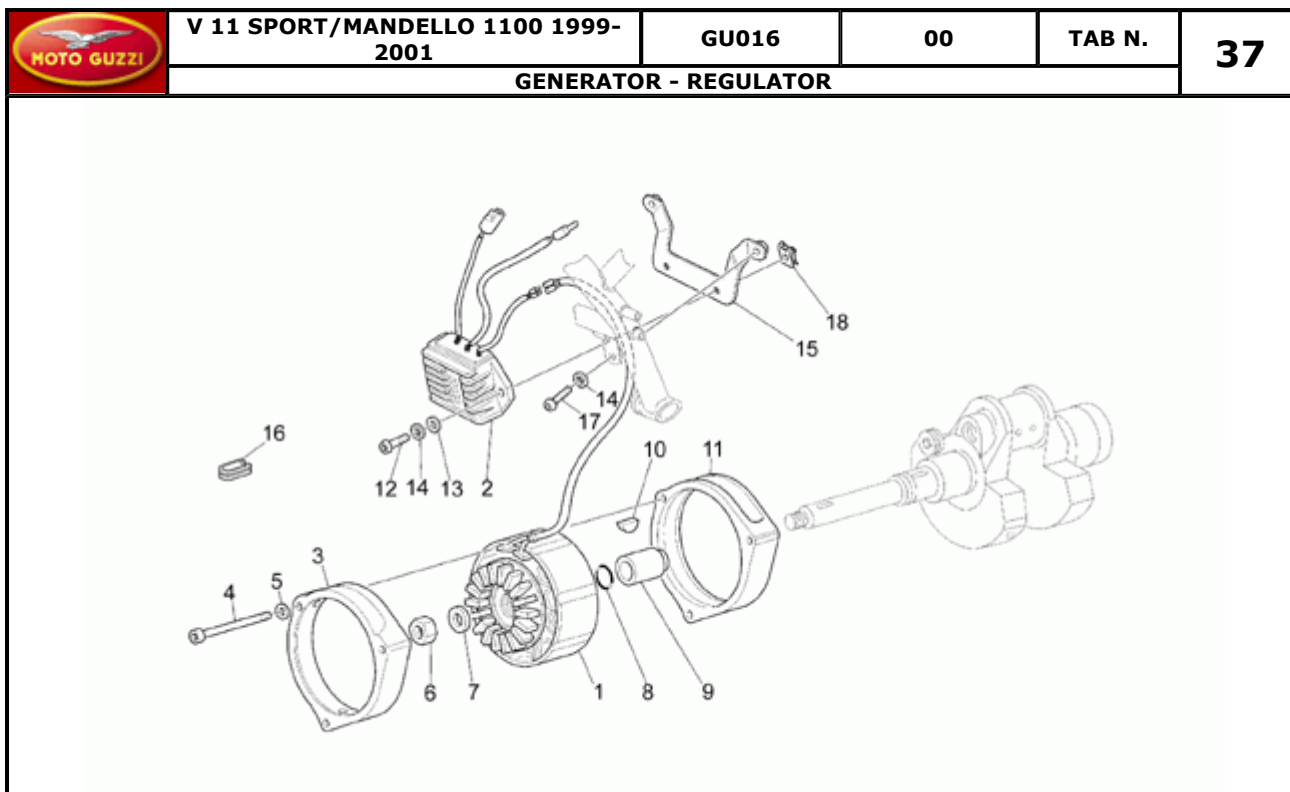
Pos.	Description	Year	I_M	Country	Version	Code	Q.ty	P.Cod.
1	Rocker arm rod	-	-	-	-	GU37045006	4	
2	Tappet	-	-	-	-	GU17045860	4	
3	Camshaft	-	-	-	-	GU37053305	1	
4	Pin	-	-	-	-	GU14234600	1	
5	Flange	-	-	-	-	GU01054000	1	
6	Hex screw M6X20	-	-	-	-	GU98054320	3	
7	Washer 6,5x11x2	-	-	-	-	GU95120065	3	
8	Wheel speed sensor, left front	-	-	-	-	GU01051700	1	
9	Timing system gear	-	-	-	-	GU01054500	1	
10	Spring washer 19x34x1,5	-	-	-	-	GU14433400	1	
11	Nut M18X1,5	-	-	-	01500N	GU92602518	1	
12	Pinion	-	-	-	-	GU14072001	1	
13	Washer 25,5x35x2	-	-	-	-	GU95100837	1	
14	Nut M25	-	-	-	-	GU92602525	1	
15	Transmission key	-	-	-	-	GU91702355	1	
16	Chain	-	-	-	-	GU28058060	1	
17	Chain tensioner	-	-	-	-	GU30057810	1	
18	Hex screw M8X35	-	-	-	-	GU98052435	2	
19	Spring washer 8x15x0,3	-	-	-	-	GU61270300	2	

Pos.	Description	Year	I_M	Country	Version	Code	Q.ty	P.Cod.
2	Union	-	-	-	-	GU30003800	1	
3	Oil filter	-	-	-	-	GU01152200	1	
4	Plate	-	-	-	-	GU95187006	1	
5	Hex screw M6X16	-	-	-	-	GU98054316	1	
6	Support	-	-	-	-	GU01003800	1	
7	Screw	-	-	-	-	GU98620340	4	
8	Washer 6,15x11x0,8	-	-	-	-	GU95004206	4	
9	Hose union	-	-	-	-	GU01005500	2	
10	O-ring 13,95x2,92	-	-	-	-	GU90706140	4	
11	Pipe	-	-	-	-	GU01005701	1	
12	Oil valve cpl.	-	-	-	-	GU30158201	1	
13	Valve body	-	-	-	-	GU30158701	1	
14	Piston	-	-	-	-	GU30150900	1	
15	Spring	-	-	-	-	GU94321079	1	
16	Washer 6,15x11x0,8	-	-	-	-	GU95004206	1	
17	Washer	-	-	-	-	GU30158900	1	
18	Cup	-	-	-	-	GU30158800	1	
19	Washer 18,25x24x1	-	-	-	-	GU18144350	1	
20	Plug	-	-	-	-	GU30159000	1	
21	Thermostatic valve compl.	-	-	-	-	GU01163500	1	
22	Spring	-	-	-	-	GU20164010	1	
23	Copper gasket	-	-	-	-	GU01163700	1	
24	Plug	-	-	-	-	GU01163600	1	


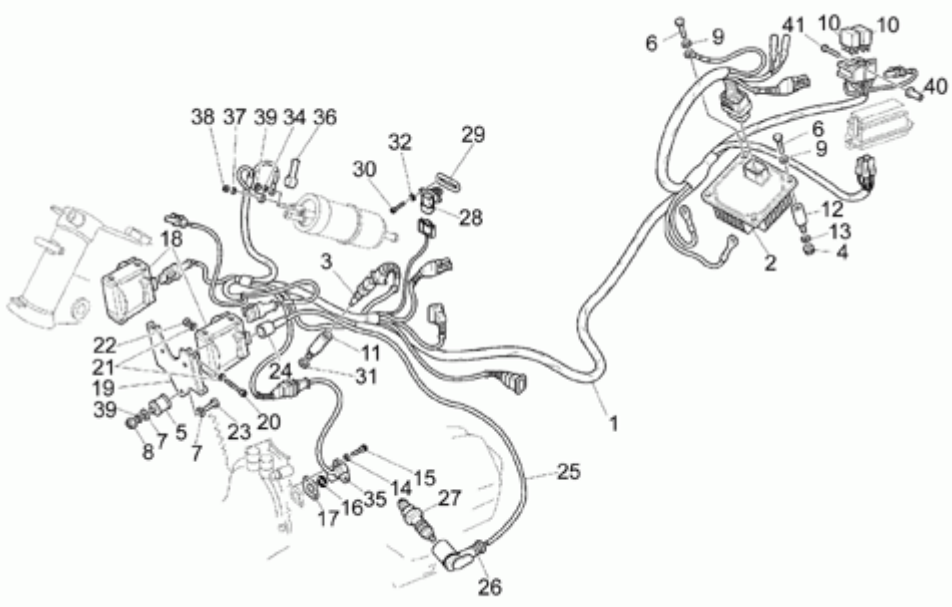
	<b>V 11 SPORT/MANDELLO 1100 1999-2001</b>	<b>GU016</b>	<b>00</b>	<b>TAB N.</b>	<b>35</b>			
	<b>CLUTCH</b>							
								
Pos.	Description	Year	I_M	Country	Version	Code	Q.ty	P.Cod.

1	Clutch spring	-	-	-	-	GU04084100	10	
2	Disc	-	-	-	-	GU30082900	1	
3	Clutch plate complete	-	-	-	-	GU03084400	2	
4	Intermediate plate	-	-	-	-	GU12082300	1	
5	Cup	-	-	-	-	GU04082800	1	
6	Rod	-	-	-	-	GU01085730	1	
7	Gasket ring 8X16X7	-	-	-	-	GU90400816	1	
8	Disc	-	-	-	-	GU04086000	1	
9	Thrust bearing	-	-	-	-	GU12087001	1	
10	Clutch control cylinder	-	-	-	-	GU04086100	1	
11	O-ring 17,13x2,62	-	-	-	-	GU90706170	1	
12	Screw	-	-	-	-	GU98250618	3	
13	Clutch command cylinder	-	-	-	-	GU01086330	1	

	<b>V 11 SPORT/MANDELLO 1100 1999-2001</b>				<b>GU016</b>	<b>00</b>	<b>TAB N.</b>	<b>36</b>
	<b>MANDELLO RED CLUTCH</b>							
								
Pos.	Description	Year	I_M_	Country	Version	Code	Q.ty	P.Cod.
1	Belleville spring	-	-	-	-	GU01084040	1	
2	Disc	-	-	-	-	GU01081940	1	
3	Clutch disc	-	-	-	-	GU01084440	1	
4	Clutch cpl.	-	-	-	-	GU01080140	1	




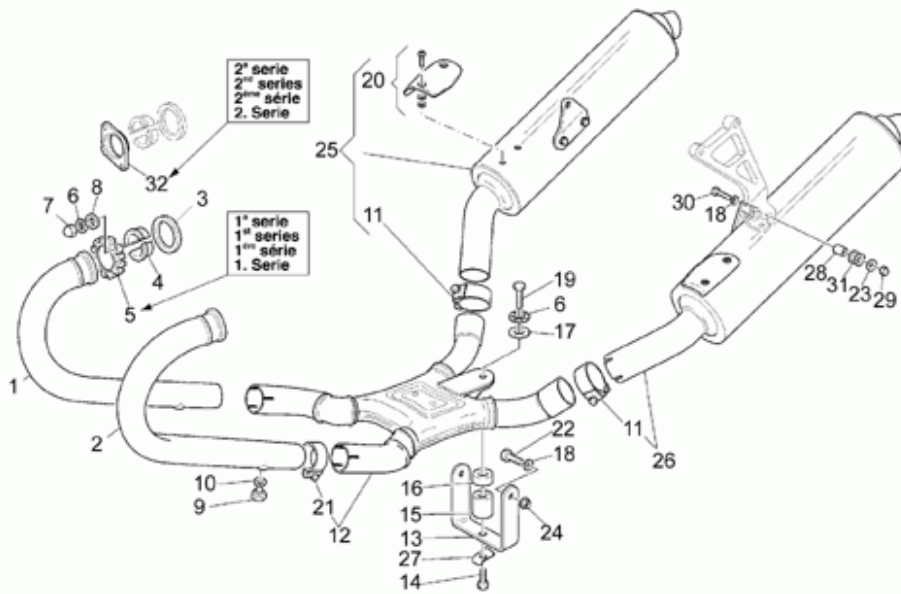
Pos.	Description	Year	I_M	Country	Version	Code	Q.ty	P.Cod.
1	Generator	-	-	-	-	GU37712405	1	
2	Voltage regulator	-	-	-	-	GU37703805	1	
3	Front calotte	-	-	-	-	GU29711460	1	
4	Screw	-	-	-	-	GU98620265	3	
5	Washer 5,9X3X0,8	-	-	-	-	GU29217960	3	
6	Nut M16X1,5	-	-	-	-	GU92603516	1	
7	Washer 16,25x24,5x5	-	-	-	-	GU30714201	1	
8	O-ring 17,86X2,62	-	-	-	-	GU90706178	1	
9	Spacer	-	-	-	-	GU37712306	1	
10	Transmission key	-	-	-	-	GU91600450	1	
11	Rear cap	-	-	-	-	GU29711960	1	
12	Hex socket screw M6X16	-	-	-	-	GU98622316	2	
13	Washer	-	-	-	-	GU95000206	2	
14	Washer 6,4x10x0,7	-	-	-	-	GU14217901	4	
15	Plate	-	-	-	-	GU01704030	1	
16	Rubber spacer	-	-	-	-	GU19007700	1	
17	Screw	-	-	-	-	GU98230615	2	
18	Clip	-	-	-	-	GU28576590	2	

	V 11 SPORT/MANDELLO 1100 1999-2001	GU016	00	TAB N.	38			
	INJECTION ELECTRICAL SYSTEM							
								
Pos.	Description	Year	I_M	Country	Version	Code	Q.ty	P.Cod.


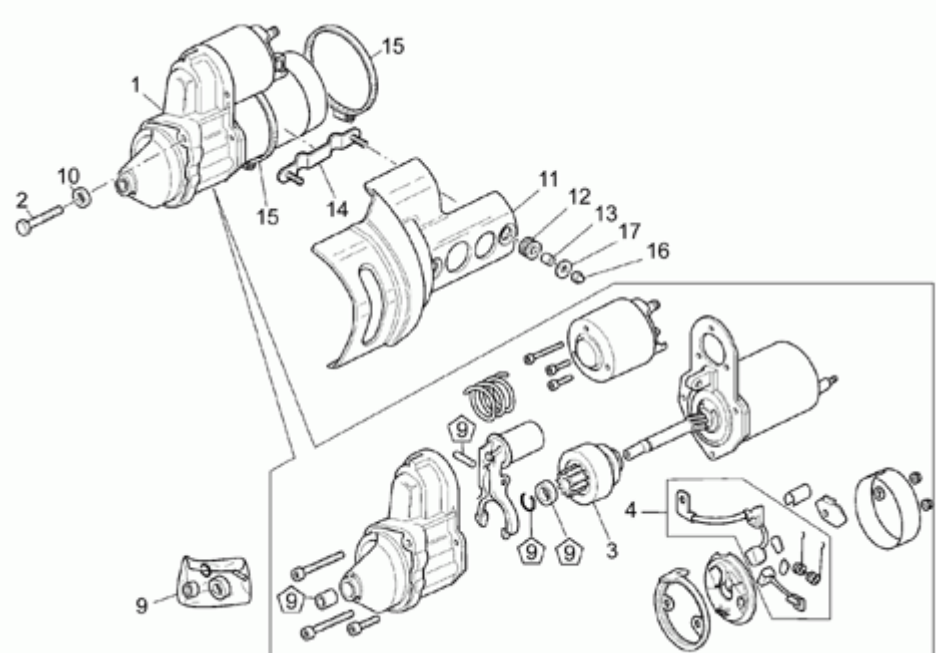
1	Injection wiring	-	-	-	-	GU01725830	1	
2	ECU	-	-	-	-	GU01729530	1	
3	Oil temperature sensor	-	-	-	-	GU29729461	1	
4	Nut	-	-	-	-	GU92650104	4	
5	Silent-block	-	-	-	-	GU93222020	3	
6	Screw	-	-	-	-	GU98054112	4	
7	Washer	-	-	-	-	GU95000206	6	
8	Nut	-	-	-	-	GU92602206	3	
9	Washer	-	-	-	-	GU95004204	4	
10	Mini-relay A1001A402	-	-	-	02401N	GU01732560	2	
11	Sensor support	-	-	-	-	GU03163330	1	
12	Block	-	-	-	-	GU93221315	4	
13	Washer	-	-	-	-	GU95129080	4	
14	Washer	-	-	-	-	GU95004205	2	
15	Screw	-	-	-	-	GU98622212	2	
16	O-ring	-	-	-	-	GU90706141	1	
17	Gasket 1,5mm	-	-	-	-	GU01722705	1	
	Gasket 0,3mm	-	-	-	-	GU01722700	1	
	Gasket 0,4mm	-	-	-	-	GU01722701	1	
	Gasket 0,6mm	-	-	-	-	GU01722702	1	
	Gasket 0,8mm	-	-	-	-	GU01722703	1	
	Gasket 1mm	-	-	-	-	GU01722704	1	
	Gasket 0,5 mm	-	-	-	-	GU29722760	1	
18	HT coil	-	-	-	-	GU30716500	2	
19	Clamp	-	-	-	-	GU01407400	1	
20	Hex socket screw M4X25	-	-	-	-	GU98622125	4	
21	Washer	-	-	-	-	GU95004204	8	
22	Nut M4x0,7	-	-	-	-	GU92630104	4	
23	Screw	-	-	-	-	GU98054308	3	
24	Cap	-	-	-	-	GU14717600	2	
25	HT wire	-	-	-	-	GU01718330	2	
26	Sparkplug cap	-	-	-	-	GU01717431	2	
27	Spark plug NGK BPR6ES	-	-	-	-	GU30717061	2	

28	Air temp. Sensor	-	-	-	-	-	GU30729331	1
29	Gasket	-	-	-	-	-	GU30027931	1
30	Screw	-	-	-	-	-	GU98610110	2
31	Washer 10,2x18x2	-	-	-	-	-	GU95004210	1
32	Washer	-	-	-	-	-	GU95000203	2
34	Nut	-	-	-	-	-	GU92602204	1
35	Phase/revolution sensor	-	-	-	-	-	GU01721600	1
36	Cap	-	-	-	-	-	GU30759600	2
37	Washer	-	-	-	-	-	GU95000205	1
38	Nut	-	-	-	-	-	GU92602205	1
39	Washer	-	-	-	-	-	GU95000204	1
40	Antivibration bush	-	-	-	-	-	GU93231605	2
41	Hex socket screw M5x18	-	-	-	-	-	GU98230518	2

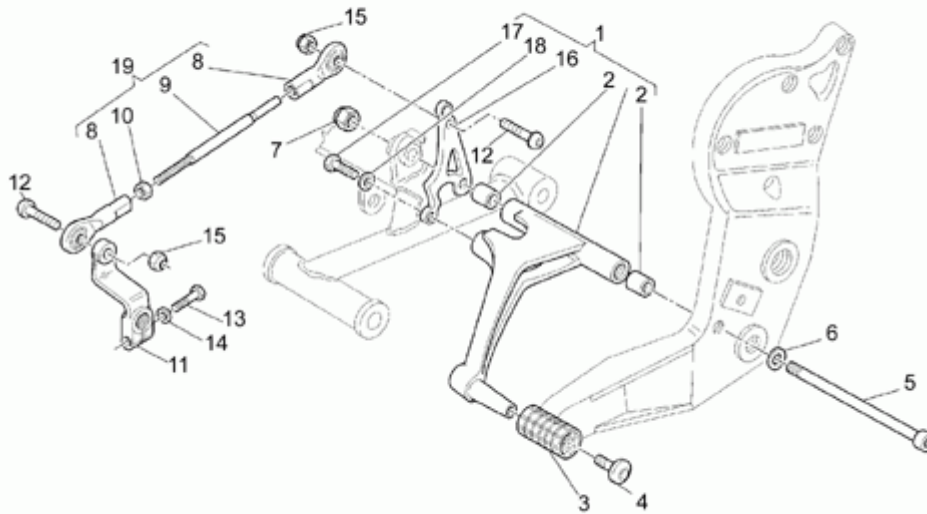
	<b>V 11 SPORT/MANDELLO 1100 1999-2001</b>	<b>GU016</b>	<b>00</b>	<b>TAB N.</b>	<b>39</b>
	<b>EXHAUST UNIT</b>				



Pos.	Description	Year	I_M_	Country	Version	Code	Q.ty	P.Cod.
1	RH exhaust pipe	-	-	-	01401N	-	GU01120932	1
2	LH exhaust pipe	-	-	-	01401N	-	GU01120933	1
3	Gasket	-	-	-	-	-	GU90718370	2
4	Spacer	-	-	-	-	-	GU37121205	2
5	Flange	-	-	-	-	-	GU03121000	2
6	Washer 8,4X13X0,8	-	-	-	-	-	GU14615901	5
7	Nut	-	-	-	-	-	GU92781081	4
8	Washer	-	-	-	-	-	GU95007208	4
9	Plug	-	-	-	-	-	GU98110007	2
10	Gasket	-	-	-	-	-	GU30109330	2
11	Hose clamp	-	-	-	-	-	GU01126930	2
12	Expansion chamber	-	-	-	-	-	GU01123930	1
13	U-bolt	-	-	-	-	-	GU01123830	1
14	Screw	-	-	-	-	-	GU98054412	1
15	Silent-block	-	-	-	-	-	GU93233030	1
16	Under spacer	-	-	-	-	-	GU30126700	1
17	Upper spacer	-	-	-	-	-	GU30126701	1
18	Washer	-	-	-	-	-	GU95100239	4
19	Screw	-	-	-	-	-	GU98054430	1
20	Silencer protection	-	-	-	-	-	GU400086800900	2
21	Hose clamp	-	-	-	-	-	GU01123430	2
22	Screw M8X22	-	-	-	-	-	GU98054422	2
23	Washer	-	-	-	-	-	GU95100256	2
24	Nut	-	-	-	-	-	GU92650108	2
25	RH silencer	-	-	-	-	-	GU01123030	1
	Carb. RH silencer	-	-	-	-	-	GU01123042	1
26	Carb. LH silencer	-	-	-	-	-	GU01122942	1
	LH silencer	-	-	-	-	-	GU01122930	1
27	Plate	-	-	-	-	-	GU95187008	2
28	Spacer	-	-	-	-	-	GU91180817	2
29	Cap nut	-	-	-	-	-	GU92781085	2
30	Screw M8x35	-	-	-	-	-	GU98230835	2
31	Rubber spacer	-	-	-	-	-	GU14103400	2
32	Flange	-	-	-	02400N	-	GU01121030	2

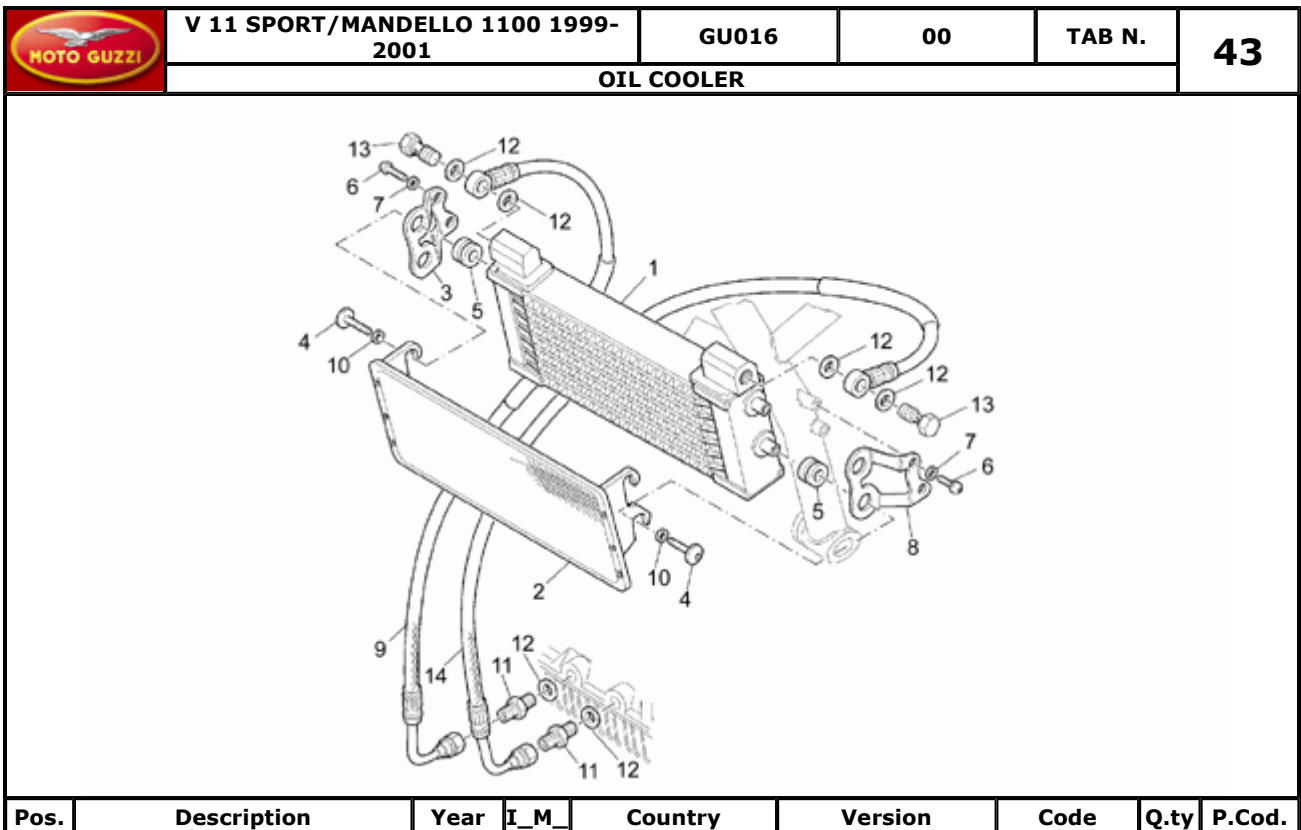
		V 11 SPORT/MANDELLO 1100 1999-2001	GU016	00	TAB N.	40		
STARTER MOTOR								
								
Pos.	Description	Year	I_M	Country	Version	Code	Q.ty	P.Cod.
1	Starter motor Valeo	-	-	-	-	GU30730711	1	
2	Hex screw M8X75	-	-	-	-	GU98052475	2	
3	Pinion assy	-	-	-	-	GU30530510	1	
4	Brush revision set	-	-	-	-	GU30530511	1	
9	Starter motor revision kit	-	-	-	-	GU30530512	1	
10	Washer	-	-	-	-	GU95004208	2	
11	Starter cover, black	-	-	-	-	bl GU01733334	1	
	Starting motor cover blank	-	-	-	-	gr GU01733330	1	
	Starter cover, silver	-	-	-	-	si GU01733333	1	
	Carb. starter cover	-	-	-	04000N	red GU01733340	1	
	Starter cover, green	-	-	-	-	g GU01733332	1	
12	Rubber spacer	-	-	-	-	GU91551085	2	
13	Spacer	-	-	-	-	GU91180607	2	
14	Plate	-	-	-	-	GU01733830	1	
15	Clamp	-	-	-	-	GU12548401	2	
16	Cap nut	-	-	-	-	GU92781053	2	
17	Washer	-	-	-	-	GU95100062	2	

	<b>V 11 SPORT/MANDELLO 1100 1999-2001</b>	<b>GU016</b>	<b>00</b>	<b>TAB N.</b>	<b>41</b>
	<b>GEAR LEVER</b>				


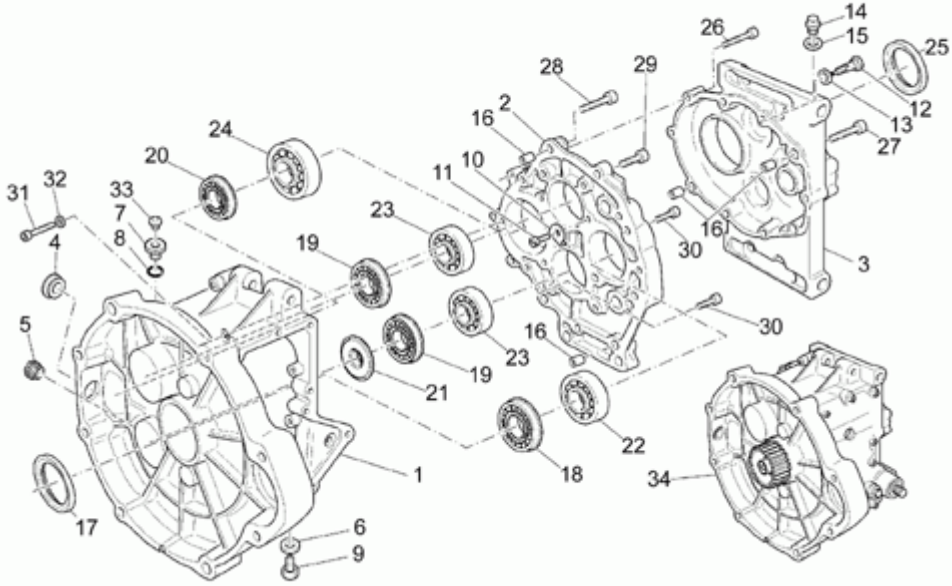


Pos.	Description	Year	I_M	Country	Version	Code	Q.ty	P.Cod.
1	Complete gearchange lever	-	-	-	-	GU01250830	1	
2	Bush	-	-	-	-	GU04217600	2	
3	Rubber spacer	-	-	-	-	GU14251001	1	
4	Screw	-	-	-	-	GU98230616	1	
5	Pin	-	-	-	-	GU98610410	1	
6	Washer	-	-	-	-	GU95004208	1	
7	Nut	-	-	-	-	GU92630208	1	
8	Ball joint	-	-	-	-	GU30675300	2	
9	Tie rod	-	-	-	-	GU96506089	1	
10	Nut	-	-	-	-	GU92602206	1	
11	Shift lever	-	-	-	-	GU01256930	1	
12	Screw	-	-	-	-	GU98230618	2	
13	Hex screw M6X20	-	-	-	-	GU98054320	1	
14	Special washer	-	-	-	-	GU61013800	1	
15	Nut	-	-	-	-	GU92630706	2	
16	Lever	-	-	-	-	GU01258230	1	
17	Screw	-	-	-	-	GU98054314	1	
18	Washer 6,4x10x0,7	-	-	-	-	GU14217901	1	
19	Change gear tie rod compl.	-	-	-	-	GU01257830	1	

Pos.	Description	Year	I_M	Country	Version	Code	Q.ty	P.Cod.
1	Oil pump	-	-	-	01700N	-	GU30146400	1
2	Transmission key	-	-	-	-	-	GU13148300	1
3	Roller bearing 10x22x20	-	-	-	-	-	GU92252210	1
4	Oil pump gear	-	-	-	-	-	GU30147700	1
5	Nut	-	-	-	-	-	GU92602308	1
6	Spring washer	-	-	-	-	-	GU95120085	1
7	Screw M8X30	-	-	-	-	-	GU98622430	4
8	Pipe	-	-	-	-	-	GU01153602	1
9	Gasket	-	-	-	-	-	GU25656102	2
10	Screw	-	-	-	-	-	GU95990037	1
11	Gasket 8,25x15x1	-	-	-	-	-	GU12154200	2
12	Pressure sensor	-	-	-	-	-	GU17768750	1
13	Gasket 12,25	-	-	-	-	-	GU12006400	1
14	Breather pipe	-	-	-	-	-	GU01007200	1
15	Gasket	-	-	-	-	-	GU12007600	1
16	Hex screw M6X20	-	-	-	-	-	GU98054320	2
17	Washer 6,5x11x2	-	-	-	-	-	GU95120065	2
18	Breather pipe	-	-	-	-	-	GU30157400	1
19	Hose clamp	-	-	-	-	-	GU12157800	2
20	Gasket	-	-	-	-	-	GU01154230	5
21	Reduction	-	-	-	-	-	GU01161330	1
22	Plug	-	-	-	-	-	GU95980216	1
23	Bored screw	-	-	-	-	-	GU95990084	1
24	Pipe	-	-	-	-	-	GU01154630	1
25	Plug	-	-	-	-	-	GU95980117	1
26	Gasket	-	-	-	-	-	GU10154200	1




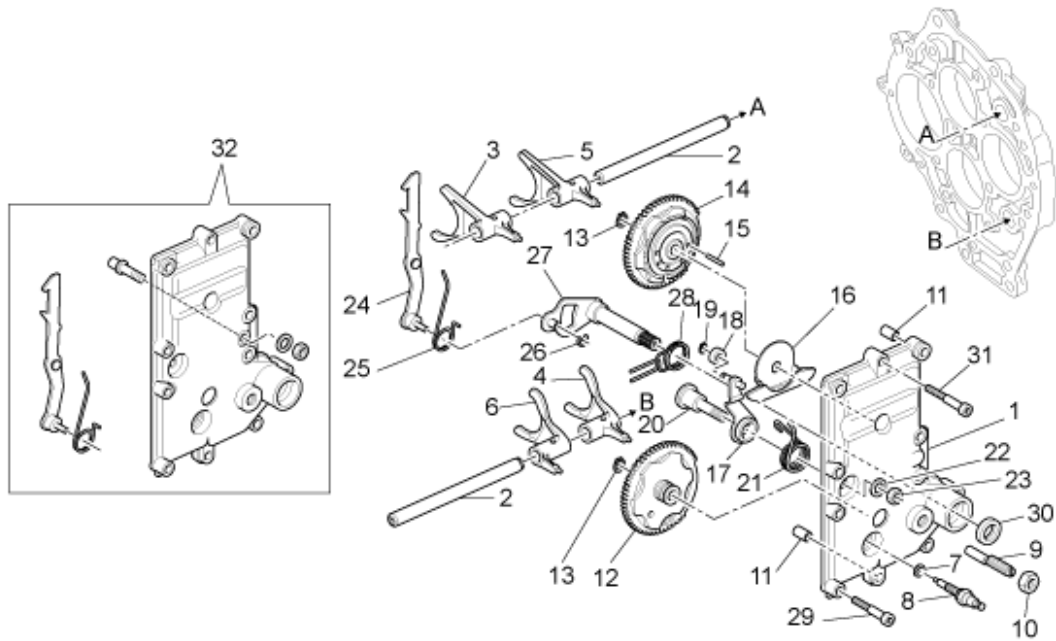
Pos.	Description	Year	I_M	Country	Version	Code	Q.ty	P.Cod.
1	Oil cooler cpl.	-	-	-	-	GU01162030	1	
2	Water cooler grille, silver	-	-	-	04000N	red	GU01582640	1
	Water cooler grille	-	-	-	-	-	GU01582630	1
3	RH clamp	-	-	-	-	-	GU01164231	1
4	Screw	-	-	-	-	-	GU98230616	4
5	Rubber spacer	-	-	-	-	-	GU91551132	4
6	Screw	-	-	-	-	-	GU98230615	4
7	Washer	-	-	-	-	-	GU95000206	4
8	LH clamp	-	-	-	-	-	GU01164431	1
9	Pipe	-	-	-	-	-	GU01161630	1
10	Washer 6,25x10x1,5	-	-	-	-	-	GU95100116	4
11	Reduction	-	-	-	-	-	GU01161330	2
12	Gasket	-	-	-	-	-	GU01154230	6
13	Bored screw	-	-	-	-	-	GU01161730	2
14	Oil return pipe	-	-	-	-	-	GU01162330	1

		V 11 SPORT/MANDELLO 1100 1999-2001	GU016	00	TAB N.	44		
TRANSMISSION CAGE								
								
Pos.	Description	Year	I_M	Country	Version	Code	Q.ty	P.Cod.


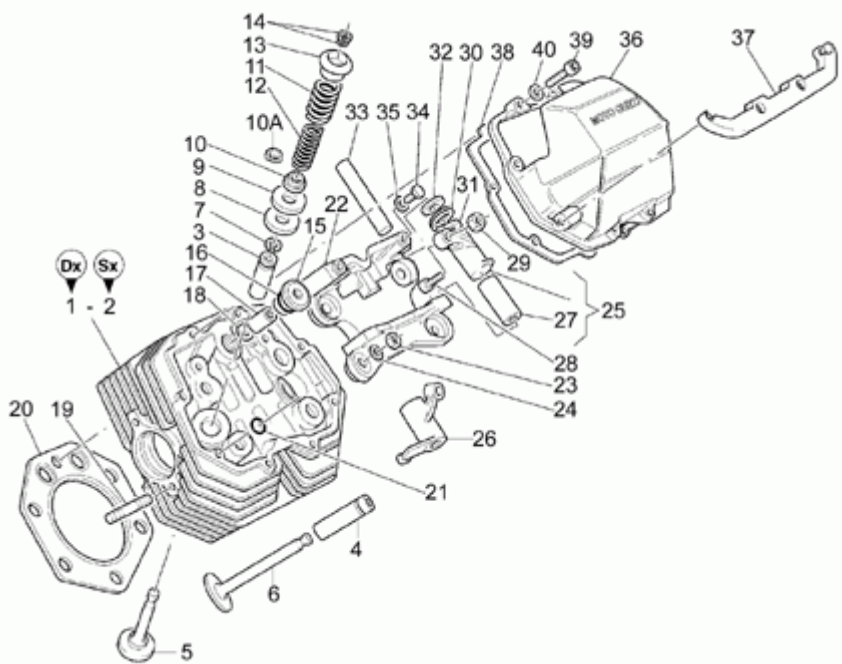
1	Gearbox black	-	-	-	04000N	red	GU01200240	1
	Transmission cage	-	-	-	-	-	GU01200230	1
2	Case cover black	-	-	-	04000N	red	GU01200840	1
	Box cover	-	-	-	-	-	GU04200800	1
3	Cover	-	-	-	-	-	GU01201330	1
	Cover black	-	-	-	04000N	red	GU01201340	1
4	Plug	-	-	-	-	-	GU93180220	1
5	Oil level plug	-	-	-	-	-	GU01205730	1
6	Gasket 10x18x1,5	-	-	-	-	-	GU01528930	1
7	Oil plug	-	-	-	-	-	GU19351200	1
8	O-ring 20,24X2,62	-	-	-	-	-	GU90706203	1
9	Oil unload plug M10X1	-	-	-	-	-	GU31003766	1
10	Plate	-	-	-	-	-	GU04205500	4
11	Screw	-	-	-	-	-	GU98280620	4
12	Bored screw	-	-	-	-	-	GU04239400	1
13	Gasket 12,25	-	-	-	-	-	GU12006400	1
14	Breather plug	-	-	-	-	-	GU19206501	1
15	Gasket	-	-	-	-	-	GU10528900	1
16	Bush	-	-	-	-	-	GU19015020	4
17	Gasket ring 40x56x8/7	-	-	-	-	-	GU90404059	1
18	Roller bearing 30x62x16	-	-	-	-	-	GU92234730	1
19	Roller bearing 20x52x15	-	-	-	-	-	GU92234720	2
20	Roller bearing 17x40x12	-	-	-	-	-	GU92234017	1
21	Disc	-	-	-	-	-	GU04205100	2
22	Ball bearing 20x52x17	-	-	-	-	-	GU92201423	1
23	Bearing 25x52x15	-	-	-	-	-	GU92201225	2
24	Ball bearing 40x68x15	-	-	-	-	-	GU92201141	1
25	Gasket ring 42x56x7	-	-	-	-	-	GU90404255	1
26	Screw M6X45	-	-	-	-	-	GU98620345	1
	Screw	-	-	-	-	-	GU98620340	5
27	Hex socket screw M8X45	-	-	-	-	-	GU98620445	4
28	Screw M8X40	-	-	-	-	-	GU98620440	2
29	Screw M8X30	-	-	-	-	-	GU98620430	1

	Screw M8X35	-	-	-	-	-	GU98620435	1
30	Screw M6X30	-	-	-	-	-	GU98622330	5
31	Screw M6X35	-	-	-	-	-	GU98620335	1
32	Washer	-	-	-	-	-	GU95000206	1
33	Plug	-	-	-	-	-	GU93180245	1
34	Gear box assy	-	-	-	04000N	red	GU01991540	1
	Gear box assy	-	-	-	-	-	GU01991530	1

	<b>V 11 SPORT/MANDELLO 1100 1999-2001</b>	<b>GU016</b>	<b>00</b>	<b>TAB N.</b>	<b>45</b>
	<b>GEAR BOX SELECTOR</b>				



Pos.	Description	Year	I_M_	Country	Version	Code	Q.ty	P.Cod.
1	Gearshift black	-	-	-	04000N	red	GU01201640	1
	Side cover	-	-	-	-	-	GU01201630	1
2	Fork shaft	-	-	-	-	-	GU04232400	2
3	Fork 1a	-	-	-	-	-	GU04230500	1
4	Fork 2a	-	-	-	-	-	GU04230800	1
5	Fork 3a-5a	-	-	-	-	-	GU04232600	1
6	Fork 4a-6a	-	-	-	-	-	GU04231200	1
7	Gasket 8,25x15x1	-	-	-	-	-	GU12154200	1
8	Sensor	-	-	-	-	-	GU19207220	1
9	Eccentric pin	-	-	-	-	-	GU04237800	1
10	Low nut M12x1,25	-	-	-	-	-	GU92602512	1
11	Bush 6,6x9x13	-	-	-	-	-	GU19002020	2
12	Selector 2a-4a-6a	-	-	-	-	-	GU04236900	1
13	Circlip	-	-	-	-	-	GU90271012	2
14	Selector 1a-3a-5a	-	-	-	-	-	GU04233600	1
15	Roller	-	-	-	-	-	GU92296745	5
16	Plate	-	-	-	-	-	GU04237500	1
17	Lever	-	-	-	-	-	GU04238600	1
18	Roller	-	-	-	-	-	GU04234700	1
19	Circlip	-	-	-	-	-	GU90271008	1
20	Lever pin	-	-	-	-	-	GU04234600	1
21	Spring	-	-	-	-	-	GU04238200	1
22	Washer	-	-	-	-	-	GU95000208	1
23	Nut M8X1,25	-	-	-	-	-	GU92602208	1
24	Ratchet	-	-	-	-	-	GU04235100	1
25	Spring	-	-	-	-	-	GU04238300	1
26	Circlip	-	-	-	-	-	GU90280007	1
27	Selector shaft	-	-	-	02700N	-	GU01237031	1
28	Spring	-	-	-	-	-	GU04239200	1
29	Screw M6X30	-	-	-	-	-	GU98620330	9
30	Gasket ring	-	-	-	-	-	GU90401526	1
31	Screw M6X35	-	-	-	-	-	GU98620335	2
32	Gear box selector, kit black	-	-	-	-	-	GU973260900017	1

	V 11 SPORT/MANDELLO 1100 1999-2001	GU016	00	TAB N.	46			
	CYLINDER HEAD							
								
Pos.	Description	Year	I_M	Country	Version	Code	Q.ty	P.Cod.

1	RH head assy w/h valve	-	-	-	-	GU01022130	1	
2	LH head assy with valve	-	-	-	-	GU01022230	1	
3	Exhaust valve guide	-	-	-	-	GU13036801	2	
4	Intake valve guide	-	-	-	-	GU14036860	2	
5	Exhaust valve	-	-	-	-	GU37036105	2	
6	Intake valve	-	-	-	-	GU37036005	2	
7	Snap ring	-	-	-	-	GU90353016	4	
8	Washer 14,2x31x1	-	-	-	-	GU13037200	4	
9	Washer 14,2x31x0,3	-	-	-	-	GU14037300	10	
10	Lower cup 14,2x32x5	-	-	-	04000N-M3	GU01037030	2	
	Washer plate	-	-	-	04000N-M3	GU01038730	2	
	Lower cup	-	-	-	M4	GU37037005	4	
11	Outer spring	-	-	-	-	GU37037405	4	
12	Inner spring	-	-	-	-	GU37037605	4	
13	Upper cup	-	-	-	-	GU37038005	4	
14	Valve half-cone	-	-	-	-	GU12038100	8	
15	Oil plug	-	-	-	-	GU12022600	2	
16	O-ring 20,24X2,62	-	-	-	-	GU90706203	2	
17	Column nut	-	-	-	-	GU13021900	2	
18	Washer 10,5X18X0,8	-	-	-	-	GU95129180	2	
19	Stud bolt	-	-	-	-	GU96508042	4	
20	Gasket	-	-	-	-	GU30022060	2	
21	O-ring 9x2	-	-	-	-	GU90706094	8	
22	Rocker arm support	-	-	-	-	GU14034865	2	
23	Nut M10X1,5	-	-	-	-	GU92603010	10	
24	Washer 10,5X21X1	-	-	-	-	GU14018400	10	
25	RH rocker arm assy	-	-	-	-	GU14030201	2	
26	LH rocker arm assy	-	-	-	-	GU14030401	2	
27	Bush 15x18x43	-	-	-	-	GU91111511	4	
28	Adjuster screw	-	-	-	-	GU17034050	4	
29	Nut	-	-	-	-	GU10034100	4	
30	Spring	-	-	-	-	GU94322215	4	

31	Washer 15,2x26x1	-	-	-	-	-	GU90118152	8
32	Washer 15,2x26x0,5	-	-	-	-	-	GU10032700	4
33	Rocker shaft	-	-	-	-	-	GU12031800	4
34	Hex screw M6X16	-	-	-	-	-	GU98054316	4
35	Washer 6,5x11x2	-	-	-	-	-	GU95120065	4
36	Valves cover	-	-	-	-	-	GU01023530	2
	Valves cover	-	-	-	04000N	red	GU01023540	2
37	Spark plug guard grey	-	-	-	-	-	GU01941030	2
38	Cover gasket	-	-	-	-	-	GU14023760	2
39	Hex socket screw M6X25	-	-	-	-	-	GU98622325	16
40	Washer 6,15x11x0,8	-	-	-	-	-	GU95004206	16